



The New Kirby BA Series Compressor

The Service-Friendly AE Series Upgrade



- ✓ Reduced Sound Levels
- ✓ Greater Ease of Service
- ✓ Vertical Copper Connections
- ✓ Same Mounting Feet Centres

Features:

Reduced Sound Levels: The BA is a good neighbour when used outdoors and great for indoor applications too! Running noise has been reduced and bumping on start and stop eliminated due to increased internal housing clearances.

Greater Ease of Service: The new terminal cover fitted to the BA models supplied with current relays, is easily removed and replaced. There is no fiddly retaining screw.

When the cover has been removed there is plenty of space for the wiring, thanks to the new pre-wired electrical configuration. The compressor has sufficient terminals to allow it to be used as the junction box for a variety of refrigeration components.



Vertical Copper Connectors: With the introduction of the vertical copper tubes, time is saved as this means there are no more Bundy tube connectors which required careful cleaning and forming of the joint.

Important things that have NOT changed:

- The BA has the same mounting foot centres as the AE it replaces.
- The BA relay and overload part numbers are identical to those of equivalent AE models.
- Output of the BA and AE model range is unchanged. We will offer expanded performance data that will clarify (for medium temperature models), the additional capacity available from R404A.

The initial BA Series release replaces all AE models with displacements from 12CC to 18CC. Smaller BA compressors are planned for future release.

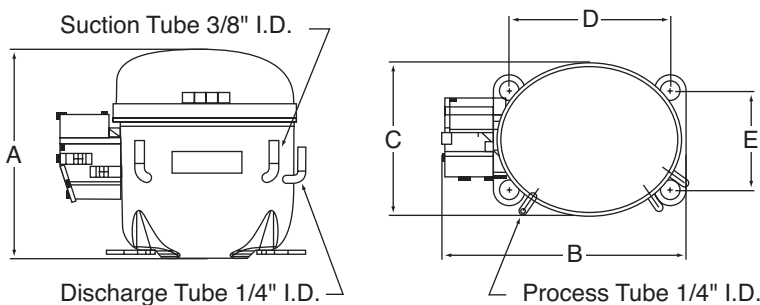
LOW TEMPERATURE R404A / MEDIUM TEMPERATURE R134a

MODEL	DISPLACEMENT (CC)	RATED CAPACITY (W)		REPLACES
		LBP R404A	MBP R134a	
BA12LMY	12.0	505	550	AE12LMY
BA14LMY	14.1	N/A	630	AE14LMY
BA16LMY	16.2	715	745	AE16LMY
BA18LZ	18.0	800	890	AE18LZ

MEDIUM TEMPERATURE R22 / R404A

MODEL	DISPLACEMENT (CC)	RATED CAPACITY (W)		REPLACES
		MBP R22	MBP R404A	
BA12MG	12.0	875	995	AE12MG
BA14MG	14.1	1020	1170	AE14MG
BA16MG	16.2	1160	1325	AE16MG
BA18MG	18.0	1290	1470	AE18MG

Note: AE models may be supplied until stocks of the superseded models are exhausted.



DIMENSIONS		mm
A	OVERALL HEIGHT	223
B	OVERALL WIDTH	250*
C	OVERALL DEPTH	160
D	HOLE CENTRES	165
E	HOLE CENTRES	102

* Dimension for BA18LZ, BA16MG & BA18MG is 233mm.

For further information, contact your local Heatcraft outlet:
Australia: 13 23 50
New Zealand: 0800 653 330

