

# Black Star hermetic condensing units



PRODUCT NUMBER		MODEL NUMBER	CAPACITY WATTS												
C/W REC'R & SERVICE VALVES - T2	LESS REC'R & SERVICE VALVES - NO		SATURATED SUCTION TEMPERATURE °C												
			-45	-40	-35	-30	-25	-20	-15	-10	-5	0	5	10	15
<b>R507/R404A M/HBP</b>															
114H2729	114H2529	TL4DLX							258	305	366	436	512	-	
114H3727	114H3527	FR6DLX							415	495	585	683	787	895	
114H4728	114H4528	FR8.5CLXHD							510	618	738	869	1007	-	
114H5743	114H5543	SC10DLX							640	786	946	1121	1307	-	
114H5744	114H5544	SC12DLX							806	981	1170	1366	-	-	
114H6745	114H6545	SC15DLX							931	1130	1349	1587	1838	-	
SC18DLXT2-1	SC18DLXN2-1	SC18DLX						1090	1330	1590	1860	2150	2460	2790	
SC22DLXT2-1	SC22DLXN2-1	SC22DLX						1270	1570	1900	2260	2640	3050	3490	
SC26DLXT2-2	SC26DLXN2-1	SC26DLX						1630	2010	2430	2900	3390	3910	4440	
<b>R507/R404A L/HBP</b>															
114H2706	114H2506	TL4CLX	62	82	107	137	172	212	257	309	366				
114H2726	114H2526	FR6CLX	88	125	166	212	264	322	385	453	525				
114H3728	114H3528	FR8.5CLX	126	156	201	260	330	408	492	580	671				
114H3730	114H3530	SC10CLX	--	--	210	291	381	481	589	705	830				
114H4731	114H4531	SC12CLX	125	213	311	416	530	651	778	912	1052				
114H5732	114H5532	SC15CLX	192	283	388	505	634	774	924	1084	1253				
114H5733	114H5533	SC18CLX	225	338	461	591	728	870	1018	1171	1330				
114H5734	114H5534	SC21CLX	282	393	519	659	813	980	1161	1356	-				
SC26GXT2-1	SC26GXN2-1	SC26GX	--	440	640	880	1150	1460	1780	2120	2480				
SC31CLXT2-1	--	SC31CLX	--	490	740	1000	1270	1580	1910	2290	-				
<b>R22 MBP</b>															
114H2729	114H2529	TL4DLX							245	290	348	414	486	-	
114H3727	114H3527	FR6DLX							394	470	556	649	748	850	
114H4728	114H4528	FR8.5CLXHD							485	587	701	825	957	-	
114H5743	114H5543	SC10DLX							608	747	899	1065	1242	-	
114H5744	114H5544	SC12DLX							766	932	1112	1298	-	-	
114H6745	114H6545	SC15DLX							884	1074	1282	1508	1746	-	
SC18DLXT2-1	SC18DLXN2-1	SC18DLX							1220	1490	1790	2110	2450	2810	
SC22DLXT2-1	SC22DLXN2-1	SC22DLX							1440	1770	2130	2530	2960	3440	
SC26DLXT2-2	SC26DLXN2-1	SC26DLX							1830	2240	2700	3210	3730	4270	
<b>R134a L/M/HBP</b>															
114G1706	114G1506	TL4GX			48	66	87	113	143	179	219	264	315	370	431
114G1708	114G1508	TL5GX			61	81	107	137	173	214	260	311	367	428	-
114G2715	114G2515	FR6GX			73	104	140	182	232	289	355	430	514	606	-
114G2718	114G2518	FR7.5GX			79	113	152	198	253	316	388	470	562	662	-
114G2716	114G2516	FR8.5GX			101	138	183	236	298	370	451	541	640	748	-
114G2719	114G2519	FR10GX			107	147	194	250	315	390	474	570	675	790	-
114G3717	114G3517	FR11GX			-	166	243	322	408	502	606	725	859	-	-
114G3726	114G3526	SC12GX			134	199	280	375	482	600	728	865	1010	1161	-
114G4727	114G4527	SC15GX			156	242	342	456	581	719	868	1027	1197	1379	1571
114G5728	114G5528	SC18GX			183	285	398	523	663	819	994	1189	1406	1649	-
114G5730	114G5530	SC21GX			242	343	467	612	778	964	1168	1388	1621	1866	-
SC26GXT2-1	SC26GXN2-1	SC26GX			-	-	-	710	970	1250	1570	1910	2280	2680	-
SC31GXT2-2	SC31GXN2-2	SC31GX			-	-	-	880	1160	1470	1810	2180	2580	3030	-

**Model Denomination**

TL = Compressor Type  
 FR = Compressor Type  
 SC = Compressor Type  
 Eg: SC10DLX  
 10 = Displacement in cm<sup>3</sup>

DL = R404A/R507/R22, M/HBP  
 CL = R404A/R507, LBP  
 G = R134a, H/M/LBP  
 X = High Starting Torque

NO = For capillary tube - without receiver or stop valve  
 N2 = No receiver & 2 stop valves  
 T2 = For expansion valve - with receiver & 2 stop valves  
 1 Watt = 0.86 kcal/h  
 1 Watt = 3.41 Btu

# Black Star hermetic condensing units – cont'd

NOM. HP	ELECTRICAL		LIQ.REC. P/DOWN @ 80% FULL KG	DIMENSIONS mm						CONNECTIONS (")		WEIGHT T2 MODELS KG
	WATTS INPUT	RLA		HEIGHT H	WIDTH W	DEPTH D	MOUNTING CENTRES			SUCTION LINE	LIQUID LINE	
							W1	W2	D1			
<b>R507/R404A M/HBP</b>												
1/5	280	1.8	0.8	226	301	432	228	192	310	3/8 F	3/8 F	13.2
1/4	415	2.7	1.35	256	323	444	228	192	325	3/8 F	3/8 F	18.2
1/4	560	3.5	1.35	296	333	451	228	192	325	3/8 F	3/8 F	18.6
3/8	670	4.0	1.35	296	333	473	228	192	325	3/8 F	3/8 F	25.2
1/2	805	4.8	1.35	296	333	473	228	192	325	3/8 F	3/8 F	25.3
3/4	930	4.6	1.35	350	442	610	228	192	370	3/8 F	3/8 F	38.2
7/8	1280	5.2	2.4	338	435	550	405	—	386	3/8 F	3/8 F	25.1
1	1400	6.3	2.4	395	520	620	485	459	380	1/2 F	1/2 F	44.4
1-1/4	1530	6.6	2.4	395	520	620	485	459	380	1/2 F	1/2 F	44.7
<b>R507/R404A L/HBP</b>												
1/8	145	1.0	0.8	226	301	432	228	192	310	3/8 F	3/8 F	13.2
1/5	250	1.7	0.8	226	301	432	228	192	310	3/8 F	3/8 F	16.2
1/4	315	2.2	1.35	256	323	444	228	192	325	3/8 F	3/8 F	18.2
1/3	340	2.4	1.35	256	323	444	228	192	325	3/8 F	3/8 F	21.5
1/3	430	3.0	1.35	296	333	451	228	192	325	3/8 F	3/8 F	25.1
3/8	510	3.5	1.35	296	333	473	228	192	325	3/8 F	3/8 F	25.1
1/2	605	3.3	1.35	296	333	513	228	192	365	3/8 F	3/8 F	26.3
5/8	705	3.8	1.35	296	333	513	228	192	365	3/8 F	3/8 F	27.1
3/4	960	4.8	2.4	338	435	550	405	—	386	1/2 F	1/2 F	36.4
1	1160	5.5	2.4	338	435	550	405	—	386	5/8 F	5/8 F	36.4
<b>R22 MBP</b>												
1/5	280	1.8	0.8	226	301	432	228	192	310	3/8 F	3/8 F	13.2
1/4	415	2.7	1.35	256	323	444	228	192	325	3/8 F	3/8 F	18.2
1/4	560	3.5	1.35	296	333	451	228	192	325	3/8 F	3/8 F	18.6
3/8	670	4.0	1.35	296	333	473	228	192	325	3/8 F	3/8 F	25.2
1/2	805	4.8	1.35	296	333	473	228	192	325	3/8 F	3/8 F	25.3
3/4	930	4.6	1.35	350	442	610	228	192	370	3/8 F	3/8 F	38.2
7/8	1280	5.2	2.4	338	435	550	405	—	386	3/8 F	3/8 F	25.1
1	1400	6.3	2.4	395	520	620	485	459	380	1/2 F	1/2 F	44.4
1-1/4	1530	6.6	2.4	395	520	620	485	459	380	1/2 F	1/2 F	44.7
<b>R134a L/M/HBP</b>												
1/8	170	1.0	0.65	197	286	410	228	192	310	1/4 F	1/4 F	12.1
1/6	210	1.2	0.65	197	286	410	228	192	310	1/4 F	1/4 F	13.0
1/5	275	1.5	0.8	226	301	432	228	192	310	3/8 F	3/8 F	16.2
1/4	300	1.6	0.8	226	301	432	228	192	310	3/8 F	3/8 F	16.2
1/3	315	1.8	0.8	226	301	432	228	192	310	3/8 F	3/8 F	16.2
1/3	350	2.0	0.8	226	301	432	228	192	310	3/8 F	3/8 F	16.2
1/3	470	2.7	1.35	256	323	444	228	192	325	3/8 F	3/8 F	18.3
3/8	510	2.9	1.35	256	323	444	228	192	325	3/8 F	3/8 F	20.5
3/8	600	3.5	1.35	296	333	451	228	192	325	3/8 F	3/8 F	20.9
1/2	700	4.2	1.35	296	333	473	228	192	325	3/8 F	3/8 F	21.4
5/8	735	3.7	1.35	296	333	513	228	192	365	3/8 F	3/8 F	22.2
3/4	960	4.8	2.4	338	435	550	405	—	386	1/2 F	1/2 F	36.4
1	1160	5.5	2.4	395	520	620	485	459	380	5/8 F	5/8 F	36.4

**Rating Conditions**

Ambient temperature 32°C  
 Return vapour temperature 20°C  
 Inherent sub-cooling averaging 2 to 3°K

**Technical Notes**

All condensing units according to DIN8971  
 Comply with German safety standards VBG50  
 Watts input & RLA @ -25°C for LBP models & -5°C on all other models (inc. L/M/HBP)  
 Evaporator selection @ 7KTD max, -25°C for LBP models & -5°C on all other models (inc. L/M/HBP)

# Black Star hermetic condensing units – cont'd



OPTIONS SUPPLIED						
MODEL NUMBER	FILTER DRIERS	SIGHT GLASS	PRESSURE CONTROL	THERMOSTAT	SOLENOID	
					VALVE	COIL
<b>ITEMS IN BLUE DENOTE SOLDER CONNECTIONS</b>						
TL4DLX	023Z0040 023Z0054 1/4"	032F1205 032F1206 1/4"	LP Control 060-1101 HP Control 060-1171	Thermostat (Capillary Sensor) 060L1102 Thermostat (Room Sensor) 060L1106	032F1205 032F1206 1/4"	240VAC 50Hz 018F6702 24VAC 50Hz 018F6707
FR6DLX						
FR8.5CLXHD						
SC10DLX						
SC12DLX						
SC15DLX	023Z0041 023Z0056 3/8"	014-0162 023Z0056 3/8"			032F1203 032F1204 1/4"	
SC18DLX						
SC22DLX						
SC26DLX						
<b>ITEMS IN BLUE DENOTE SOLDER CONNECTIONS</b>						
TL4CLX	023Z0040 023Z0054 1/4"	014-0161 032F2201 1/4"	LP Control 060-1101 HP Control 060-1171	Thermostat (Capillary Sensor) 060L1102 Thermostat (Room Sensor) 060L1106	032F1205 032F1206 1/4"	240VAC 50Hz 018F6702 24VAC 50Hz 018F6707
FR6CLX						
FR8.5CLX						
SC10CLX						
SC12CLX						
SC15CLX						
SC18CLX						
SC21CLX						
SC26GX	023Z0041 023Z0056 3/8"	014-0162 032F2207 3/8"			032F1203 032F1204 3/8"	
SC31CLX						
<b>ITEMS IN BLUE DENOTE SOLDER CONNECTIONS</b>						
TL4DLX	023Z0003 023Z0017 1/4"	014-0161 032F2201 1/4"	LP Control 060-1101 HP Control 060-1171	Thermostat (Capillary Sensor) 060L1102 Thermostat (Room Sensor) 060L1106	032F1203 032F1204 3/8"	240VAC 50Hz 018F6702 24VAC 50Hz 018F6707
FR6DLX						
FR8.5CLXHD						
SC10DLX						
SC12DLX						
SC15DLX						
SC18DLX						
SC22DLX						
SC26DLX						
SC26DLX						
<b>ITEMS IN BLUE DENOTE SOLDER CONNECTIONS</b>						
TL4GX	023Z0038 023Z0052 1/4"	014-0161 032F2201 1/4"	LP Control 060-1101 HP Control 060-1171	Thermostat (Capillary Sensor) 060L1102 Thermostat (Room Sensor) 060L1106	032F1200 032F1201 1/4"	240VAC 50Hz 018F6702 24VAC 50Hz 018F6707
TL5GX						
FR6GX						
FR7.5GX						
FR8.5GX						
FR10GX						
FR11GX	023Z0038 023Z0052 1/4"				032F1205 032F1206 1/4"	
SC12GX						
SC15GX						
SC18GX						
SC21GX						
SC26GX	023Z0041 023Z0056 3/8"	014-0162 032F2207 3/8"			032F1203 032F1204 3/8"	
SC31GX						
<b>ITEMS IN BLUE DENOTE SOLDER CONNECTIONS</b>						
MODEL NUMBER	ORIFICE & STRAINER	For assistance with TX Valve and Orifice selection, contact your local Application Engineer.				
068-2002	0X					
068-2003	0					
068-2010	1					
068-2015	2					
068-2006	3					

# Black Star hermetic condensing units – cont'd

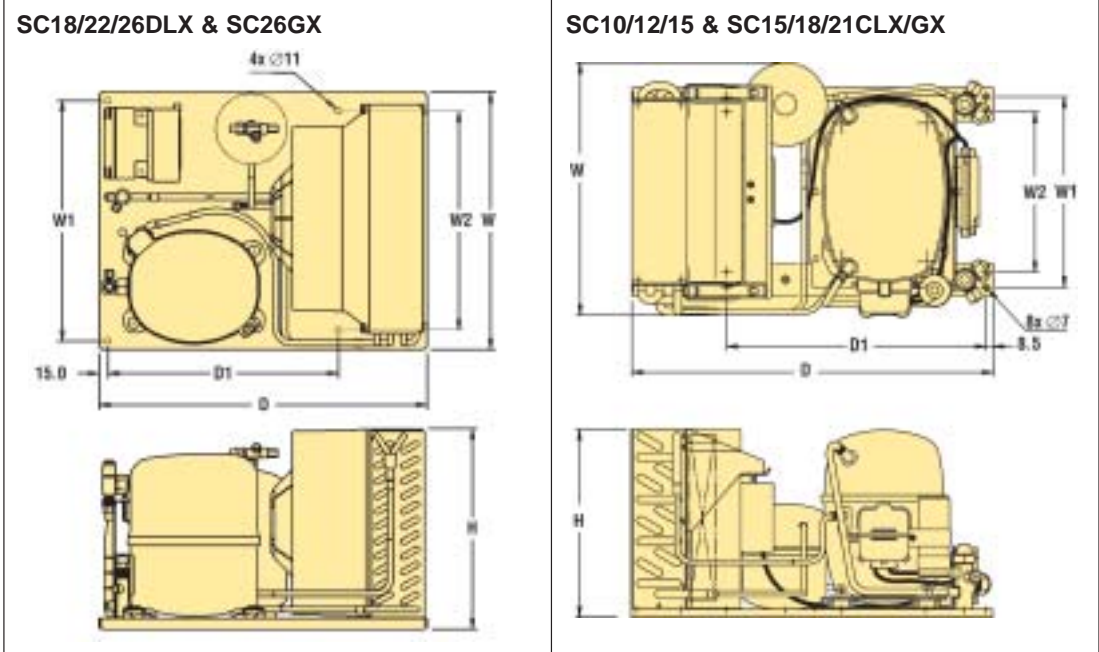
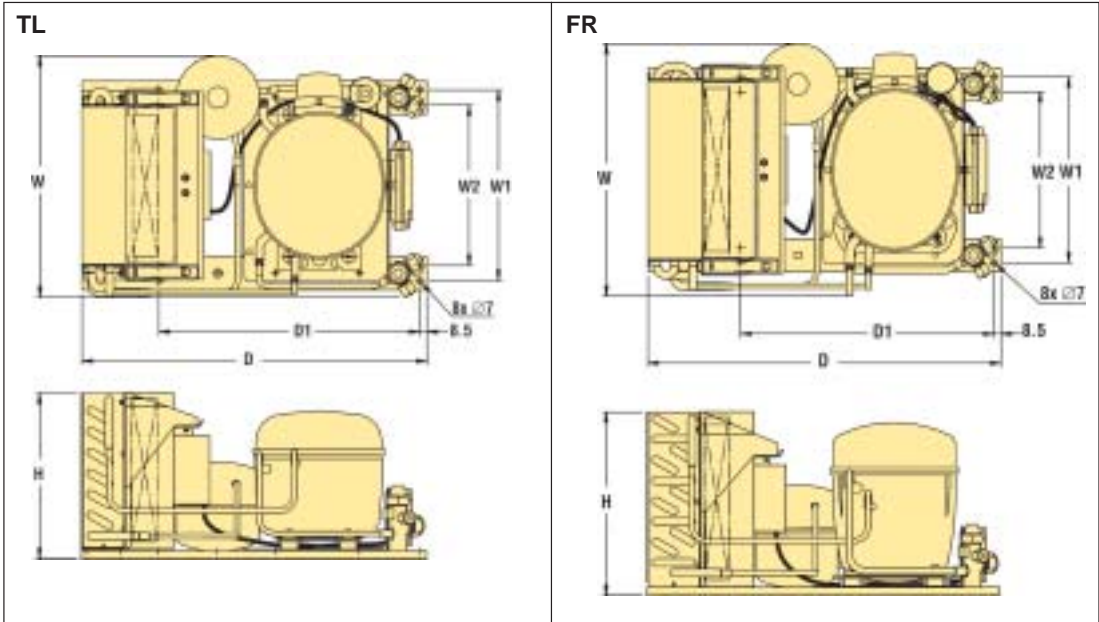


SPARE PARTS								
MODEL NUMBER	PRODUCT NUMBER							
	COMPRESSOR	SUCTION LINE VALVE	LIQUID LINE VALVE	RELAY	START CAPACITOR	RUN CAPACITOR	MOTOR	FAN BLADE
TL4DLX	102U2038SP	B301305	B301300	117U6001	117U5014	-	118U0200	117-3814
FR6DLX	103U2680SP	B301305	B301300	117U6010	117U5015	-	118U0201	118U0600
FR8.5CLXHD	103U2890SP	B301305	B301300	117U6010	117U5015	-	118U0201	118U0600
SC10DLX	104L2525SP	B301305	B301300	117U6005	117U5017	-	118U0203	118U0602
SC12DLX	104L2625SP	B301305	B301300	117U6019	117U5017	-	118U0203	118U0602
SC15DLX	104L2856SP	B301305	B301300	117-7028	117-7028	117-7028	118U0203	118U0602
SC18DLX	AE18MG-1KS	B301305	B301305	RVA8R6D	1965523P4R	7G72200N6Z	MPB215-1	MF189-1
SC22DLX	WJ22MHG-1C	MRV133-2/CTL264-1	B301305	RVA3H6D	1965568P4R	7G72200N6Z	MPB215-1	MF189-1
SC26DLX	WJ26MHG-1C	MRV133-2/CTL264-1	B301305	RVA3H6D	19655E6P6R	7G72250P6Z	B301055	-
TL4CLX	102U2071SP	B301305	B301300	117U6000	117U5014	-	118U0200	117-3814
FR6CLX	103U2670SP	B301305	B301300	117U6015	117U5015	-	118U0200	117-3814
FR8.5CLX	103U2890SP	B301305	B301300	117U6010	117U5015	-	118U0201	118U0600
SC10CLX	104L2523SP	B301305	B301300	117U6003	117U5017	-	118U0201	118U0600
SC12CLX	104L2623SP	B301305	B301300	117U6005	117U5017	-	118U0202	118U0601
SC15CLX	104L2853SP	B301305	B301300	117U6019	117U5017	-	118U0202	118U0601
SC18CLX	104L2123SP	B301305	B301300	117-7012	117-7012	117-7012	118U0202	118U0601
SC21CLX	104L2322SP	B301305	B301300	117-7012	117-7012	117-7012	118U0202	118U0601
SC26GX	WJ26LZ-1C	MRV133-2/CTL264-1	B301305	RVA3H6D	19655E6P6R	7G72250P6Z	MPB215-1	MF189-1
SC31CLX	WJ31LZ-1C	24602-P/CTL264-1	B301305	RVA3H6D	19655E6P6R	7G72250P6Z	MPB215-1	MF189-1
TL4DLX	102U2038SP	B301305	B301300	117U6001	117U5014	-	118U0200	117-3814
FR6DLX	103U2680SP	B301305	B301300	117U6010	117U5015	-	118U0201	118U0600
FR8.5CLXHD	103U2890SP	B301305	B301300	117U6010	117U5015	-	118U0201	118U0600
SC10DLX	104L2525SP	B301305	B301300	117U6005	117U5017	-	118U0203	118U0602
SC12DLX	104L2625SP	B301305	B301300	117U6019	117U5017	-	118U0203	118U0602
SC15DLX	104L2856SP	B301305	B301300	117-7028	117-7028	117-7028	118U0203	118U0602
SC18DLX	AE18MG-1KS	B301305	B301305	RVA8R6D	1965523P4R	7G72200N6Z	MPB215-1	MF189-1
SC22DLX	WJ22MHG-1C	MRV133-2/CTL264-1	B301305	RVA3H6D	1965568P4R	7G72200N6Z	MPB215-1	MF189-1
SC26DLX	WJ26MHG-1C	MRV133-2/CTL264-1	B301305	RVA3H6D	19655E6P6R	7G72250P6Z	B301055	-
TL4GX	102G4452SP	B301300	B301300	117U6004	117U5014	-	118U0200	B301060
TL5GX	102G4550SP	B301300	B301300	117U6000	117U5014	-	118U0200	B301060
FR6GX	103G6660SP	B301305	B301300	117U6000	117U5015	-	118U0200	117-3814
FR7.5GX	103G6680SP	B301305	B301300	117U6001	117U5015	-	118U0200	117-3814
FR8.5GX	103G6780SP	B301305	B301300	117U6015	117U5015	-	118U0200	117-3814
FR10GX	103G6880SP	B301305	B301300	117U6010	117U5015	-	118U0200	117-3814
FR11GX	103G6980SP	B301305	B301300	117U6010	117U5017	-	118U0201	118U0600
SC12GX	104G8240SP	B301305	B301300	117U6003	117U5017	-	118U0201	118U0600
SC15GX	104G8520SP	B301305	B301300	117U6005	117U5017	-	118U0202	118U0601
SC18GX	104G8820SP	B301305	B301300	117U6019	117U5017	-	118U0202	118U0601
SC21GX	104G8140SP	B301305	B301300	117-7028	117-7028	117-7028	118U0202	118U0601
SC26GX	WJ26LZ-1C	MRV133-2/CTL264-1	B301305	RVA3H6D	19655E6P6R	7G72250P6Z	MPB215-1	MF189-1
SC31GX	WJ31LZ-1C	24602-P/CTL264-1	B301305	RVA3H6D	19655E6P6R	7G72250P6Z	MPB215-1	MF189-1

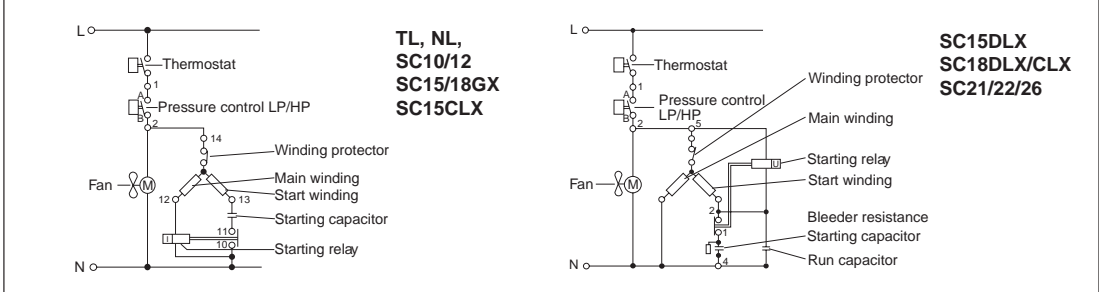
# Black Star hermetic condensing units – cont'd



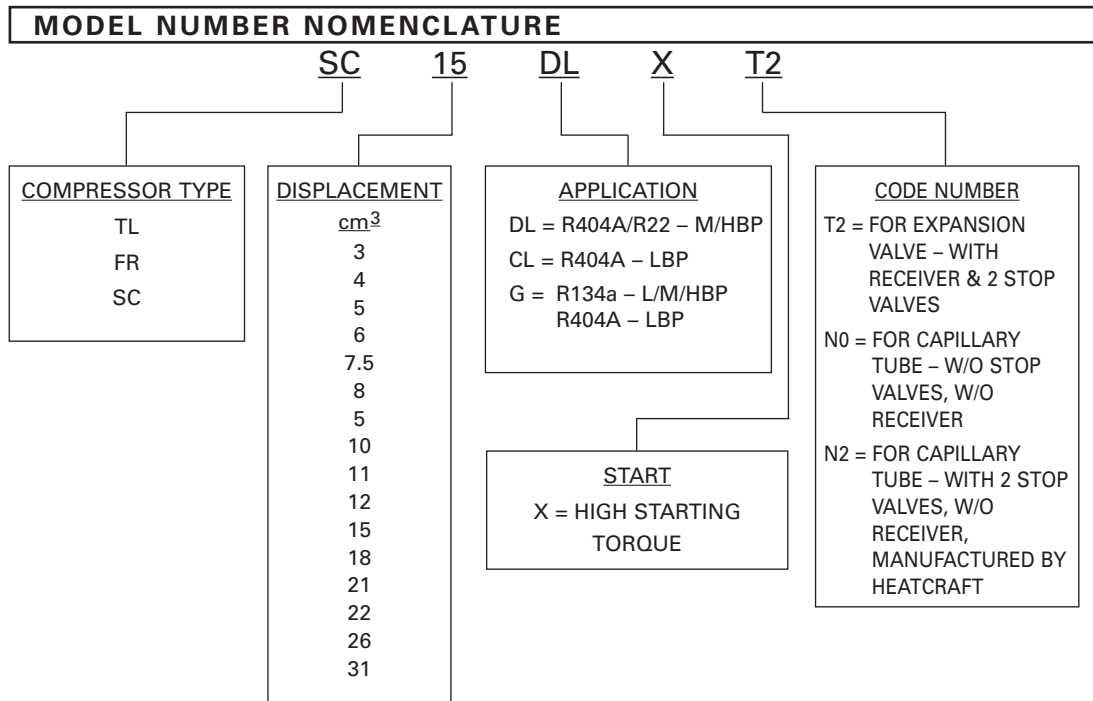
## DIMENSIONS



## CIRCUIT DIAGRAMS



# Black Star hermetic condensing units – cont'd



ACCESSORIES (For 'NO' models without receivers or service valves)			
PRODUCT NUMBER	KIT NUMBER	DESCRIPTION	SUITS MODEL
B402000	1	Electrical cord c/w plug, access valve & copper reducer	TL4
B402000	1	Electrical cord c/w plug, access valve & copper reducer	TL5
B402005	2	Electrical cord c/w plug, access valve & copper tube	FR6
B402005	2	Electrical cord c/w plug, access valve & copper tube	FR10
B402005	2	Electrical cord c/w plug, access valve & copper tube	SC10
B402005	2	Electrical cord c/w plug, access valve & copper tube	SC12
B402010	3	Electrical cord c/w plug & access valve	SC15
B402010	3	Electrical cord c/w plug & access valve	SC21