

# AUSSIE BLUE STAR air cooled hermetic condensing units

## INTRODUCTION

### Design Features

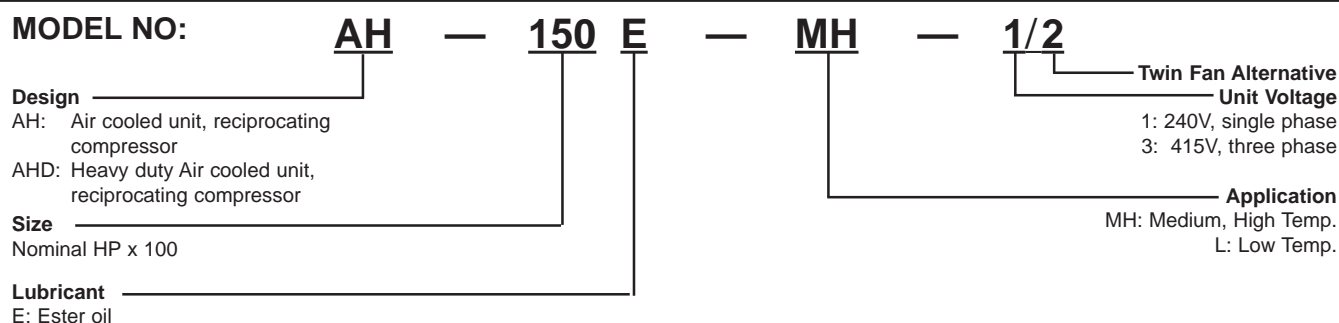
- Large condensers rated for 32°/ 43°C ambients on Standard Range & 38°/ 46°C ambients on Heavy Duty Range.
- Internationally proven Maneurop MTZ compressors from 1.5 to 13.3 HP for medium temperature applications.
- Maneurop LTZ compressors from 1.5 to 8.3 HP for low temperature applications.
- MTZ & LTZ compressors are fitted with an internal line break protection to ensure maximum motor protection for long life operation.
- Compressors supplied with oil sight glass, oil equalization and crankcase heater as standard.
- All models are supplied with Danfoss automatic reset HP/LP control and flexible hose lines.
- Pre-wired electrical boxes.
- Condenser fans are high efficiency, low noise external rotor motor(s).
- Pressure vessels comply with internationally recognized standards.



### Aussie Blue Star Philosophy

The Aussie Blue Star range evolved from a joint exercise between Danfoss Maneurop, Heatcraft Technology Group and Heatcraft's personnel. Over the years Danfoss Maneurop developed a range of condensing units to meet present and future requirements of performance, compactness, sound level, construction quality and conformity with ecological standards. The design team leveraged off this experience and developed a range suitable for Australia's harsh ambient conditions, offering the largest condensers on the market.

### MODEL NUMBER NOMENCLATURE



# Aussie Blue Star air cooled hermetic condensing units



## STANDARD RANGE - 32°C AMBIENT, 20°C RETURN VAPOUR & INHERENT SUBCOOLING (2 TO 3 K)

### CAPACITY RATINGS - WATTS

PRODUCT NUMBER	NOMINAL		SATURATED SUCTION TEMPERATURE °C							
	HP	kW	-25	-20	-15	-10	-5	0	5	10
<b>MEDIUM TEMPERATURE R507/R404A</b>										
AH-150E-MH-3	1.5	1.1	1010	1350	1750	2210	2720	3260	3830	4410
AH-150E-MH-1	1.5	1.1	1010	1350	1750	2210	2720	3260	3830	4410
AH-180E-MH-3	1.8	1.4	1500	1970	2480	3030	3590	4160	4720	5270
AH-180E-MH-1	1.8	1.4	1500	1970	2480	3030	3590	4160	4720	5270
AH-230E-MH-3	2.3	1.7	1930	2480	3120	3820	4560	5340	6110	6860
AH-230E-MH-1	2.3	1.7	1930	2480	3120	3820	4560	5340	6110	6860
AH-270E-MH-3	2.7	2.0	2110	2770	3540	4410	5340	6350	7390	8470
AH-270E-MH-1	2.7	2.0	2110	2770	3540	4410	5340	6350	7390	8470
AH-300E-MH-3	3.0	2.3	2590	3280	4070	4970	5950	6980	8060	9140
AH-300E-MH-1	3.0	2.3	2590	3280	4070	4970	5950	6980	8060	9140
AH-330E-MH-3	3.3	2.5	2700	3550	4500	5550	6660	7820	9000	10170
AH-380E-MH-3	3.8	2.9	2910	3870	4940	6110	7370	8720	10130	11550
AH-430E-MH-3	4.0	3.0	3580	4730	5990	7330	8710	10130	11560	12960
AH-480E-MH-3	4.8	3.6	4170	5320	6620	8060	9610	11220	12850	14460
AH-540E-MH-3	5.4	4.1	5060	6340	7810	9460	11240	13120	15030	16940
AH-610E-MH-3	6.1	4.6	6090	7440	9070	10950	13020	15230	17500	19740
AH-680E-MH-3	6.8	5.1	6740	8370	10300	12490	14860	17340	19850	22290
AH-830E-MH-3	8.3	6.2	6720	8700	11010	13610	16450	19450	22520	25580
AH-1040E-MH-3	10.4	7.8	9170	11670	14550	17760	21220	24840	28530	32150
AH-1200E-MH-3	12.0	9.0	10660	13490	16750	20380	24320	28480	32760	37030
AH-1330E-MH-3	13.3	10.0	11990	15130	18740	22730	27020	31510	36140	40810
<b>MEDIUM TEMPERATURE R22</b>										
AH-150E-MH-3	1.5	1.1	700	1010	1400	1880	2430	3060	3780	4590
AH-150E-MH-1	1.5	1.1	700	1010	1400	1880	2430	3060	3780	4590
AH-180E-MH-3	1.8	1.4	1040	1500	2060	2690	3400	4190	5040	5970
AH-180E-MH-1	1.8	1.4	1040	1500	2060	2690	3400	4190	5040	5970
AH-230E-MH-3	2.3	1.7	1760	2380	3110	3930	4830	5810	6870	8020
AH-230E-MH-1	2.3	1.7	1760	2380	3110	3930	4830	5810	6870	8020
AH-270E-MH-3	2.7	2.0	1950	2610	3410	4310	5330	6450	7710	9120
AH-270E-MH-1	2.7	2.0	1950	2610	3410	4310	5330	6450	7710	9120
AH-300E-MH-3	3.0	2.3	2350	3140	4050	5070	6180	7390	8700	10140
AH-300E-MH-1	3.0	2.3	2350	3140	4050	5070	6180	7390	8700	10140
AH-330E-MH-3	3.3	2.5	2520	3380	4390	5520	6770	8150	9670	11350
AH-380E-MH-3	3.8	2.9	2410	3390	4550	5830	7210	8730	10430	12310
AH-430E-MH-3	4.0	3.0	2780	3900	5200	6620	8160	9860	11760	13850
AH-480E-MH-3	4.8	3.6	3630	4730	6030	7510	9180	11030	13080	15300
AH-540E-MH-3	5.4	4.1	4250	5470	6900	8570	10480	12650	15090	17780
AH-610E-MH-3	6.1	4.6	4840	6200	7830	9730	11910	14380	17140	20180
AH-680E-MH-3	6.8	5.1	5400	6940	8790	10980	13500	16360	19570	23080
AH-830E-MH-3	8.3	6.2	5590	7470	9710	12290	15230	18570	22360	26570
AH-1040E-MH-3	10.4	7.8	7540	10010	12940	16310	20110	24350	29090	34280
AH-1200E-MH-3	12.0	9.0	8670	11450	14740	18520	22800	27620	33020	38980
AH-1330E-MH-3	13.3	10.0	9670	12700	16320	20490	25220	30550	36510	43070
<b>MEDIUM TEMPERATURE R134a</b>										
AH-150E-MH-3	1.5	1.1			1020	1410	1860	2340	2850	3380
AH-150E-MH-1	1.5	1.1			1020	1410	1860	2340	2850	3380
AH-180E-MH-3	1.8	1.4			1320	1800	2350	2960	3600	4270
AH-180E-MH-1	1.8	1.4			1320	1800	2350	2960	3600	4270
AH-230E-MH-3	2.3	1.7			1670	2230	2900	3670	4510	5400
AH-230E-MH-1	2.3	1.7			1670	2230	2900	3670	4510	5400
AH-270E-MH-3	2.7	2.0			1980	2660	3470	4390	5400	6470
AH-270E-MH-1	2.7	2.0			1980	2660	3470	4390	5400	6470
AH-300E-MH-3	3.0	2.3			2660	3420	4300	5250	6280	7340
AH-300E-MH-1	3.0	2.3			2660	3420	4300	5250	6280	7340
AH-330E-MH-3	3.3	2.5			3090	3870	4750	5680	6670	7670
AH-380E-MH-3	3.8	2.9			†3000	3960	5050	6230	7490	8780
AH-430E-MH-3	4.0	3.0			3520	4680	5960	7340	8770	10230
AH-480E-MH-3	4.8	3.6			3910	5090	6470	8030	9710	11470
AH-540E-MH-3	5.4	4.1			4810	6070	7550	9220	11040	12920
AH-610E-MH-3	6.1	4.6			5540	7110	8950	11010	13230	15580
AH-680E-MH-3	6.8	5.1			6420	8180	10240	12560	15060	17670
AH-830E-MH-3	8.3	6.2			6350	8450	10870	13560	16450	19490
AH-1040E-MH-3	10.4	7.8			8150	10730	13700	16970	20470	24120
AH-1200E-MH-3	12.0	9.0			10440	13510	17000	20820	24880	29100
AH-1330E-MH-3	13.3	10.0			11500	14850	18680	22890	27380	32030

† The performance of MTZ040 compressor is greater than the MTZ045 at low Saturated Suction temperatures.

# Aussie Blue Star air cooled hermetic condensing units – cont'd



STANDARD RANGE - 43°C AMBIENT, 20°C RETURN VAPOUR & INHERENT SUBCOOLING (2 TO 3 K)										
CAPACITY RATINGS - WATTS										
PRODUCT NUMBER	NOMINAL		SATURATED SUCTION TEMPERATURE °C							
	HP	kW	-25	-20	-15	-10	-5	0	5	10
<b>MEDIUM TEMPERATURE R507/R404A</b>										
AH-150E-MH-3	1.5	1.1		980	1310	1680	2090	2510	2950	3370
AH-150E-MH-1	1.5	1.1		980	1310	1680	2090	2510	2950	3370
AH-180E-MH-3	1.8	1.4		1480	1890	2330	2770	3190	3600	3980
AH-180E-MH-1	1.8	1.4		1480	1890	2330	2770	3190	3600	3980
AH-230E-MH-3	2.3	1.7		1900	2430	3000	3590	4200	4790	5280
AH-230E-MH-1	2.3	1.7		1900	2430	3000	3590	4200	4790	5280
AH-270E-MH-3	2.7	2.0		2100	2740	3440	4180	4980	5790	6580
AH-270E-MH-1	2.7	2.0		2100	2740	3440	4180	4980	5790	6580
AH-300E-MH-3	3.0	2.3		2560	3210	3930	4700	5510	6310	7060
AH-300E-MH-1	3.0	2.3		2560	3210	3930	4700	5510	6310	7060
AH-330E-MH-3	3.3	2.5		2800	3590	4440	5330	6230	7110	7930
AH-380E-MH-3	3.8	2.9		†2710	3640	4630	5670	6770	7880	8920
AH-430E-MH-3	4.0	3.0		3540	4580	5660	6780	7910	9010	10000
AH-480E-MH-3	4.8	3.6		4150	5190	6330	7540	8770	9970	11050
AH-540E-MH-3	5.4	4.1		4940	6140	7470	8880	10350	11800	13160
AH-610E-MH-3	6.1	4.6		5660	7030	8580	10260	12020	13760	15370
AH-680E-MH-3	6.8	5.1		6340	7990	9820	11780	13780	15710	17450
AH-830E-MH-3	8.3	6.2		6770	8660	10730	12980	15350	17730	19770
AH-1040E-MH-3	10.4	7.8		9170	11550	14150	16920	19740	22510	25080
AH-1200E-MH-3	12.0	9.0		10590	13290	16260	19420	22670	25910	28940
AH-1330E-MH-3	13.3	10.0		11950	14930	18180	21610	25130	28590	31820
<b>MEDIUM TEMPERATURE R22</b>										
AH-150E-MH-3	1.5	1.1		800	1140	1540	2010	2550	3170	3870
AH-150E-MH-1	1.5	1.1		800	1140	1540	2010	2550	3170	3870
AH-180E-MH-3	1.8	1.4		1120	1620	2190	2830	3530	4290	5110
AH-180E-MH-1	1.8	1.4		1120	1620	2190	2830	3530	4290	5110
AH-230E-MH-3	2.3	1.7		1910	2580	3330	4150	5040	6000	7030
AH-230E-MH-1	2.3	1.7		1910	2580	3330	4150	5040	6000	7030
AH-270E-MH-3	2.7	2.0		2110	2830	3650	4560	5580	6710	7980
AH-270E-MH-1	2.7	2.0		2110	2830	3650	4560	5580	6710	7980
AH-300E-MH-3	3.0	2.3		2500	3350	4290	5310	6410	7600	8900
AH-300E-MH-1	3.0	2.3		2500	3350	4290	5310	6410	7600	8900
AH-330E-MH-3	3.3	2.5		2640	3620	4720	5910	7210	8640	10240
AH-380E-MH-3	3.8	2.9		†2560	†3580	4730	6000	7400	8940	10610
AH-430E-MH-3	4.0	3.0		3120	4240	5490	6860	8400	10110	11960
AH-480E-MH-3	4.8	3.6		4090	5190	6450	7880	9490	11280	13230
AH-540E-MH-3	5.4	4.1		4580	5830	7300	8990	10920	13090	15470
AH-610E-MH-3	6.1	4.6		5090	6520	8210	10180	12410	14890	17580
AH-680E-MH-3	6.8	5.1		5670	7300	9250	11520	14110	17010	20150
AH-830E-MH-3	8.3	6.2		5870	7880	10220	12890	15910	19320	23130
AH-1040E-MH-3	10.4	7.8		8300	10890	13860	17210	20960	25130	29730
AH-1200E-MH-3	12.0	9.0		9400	12320	15660	19420	23640	28360	33600
AH-1330E-MH-3	13.3	10.0		10520	13730	17410	21570	26240	31480	37290
<b>MEDIUM TEMPERATURE R134a</b>										
AH-150E-MH-3	1.5	1.1			770	1110	1500	1910	2340	2790
AH-150E-MH-1	1.5	1.1			770	1110	1500	1910	2340	2790
AH-180E-MH-3	1.8	1.4			1030	1460	1930	2450	3010	3590
AH-180E-MH-1	1.8	1.4			1030	1460	1930	2450	3010	3590
AH-230E-MH-3	2.3	1.7			1380	1870	2450	3110	3830	4600
AH-230E-MH-1	2.3	1.7			1380	1870	2450	3110	3830	4600
AH-270E-MH-3	2.7	2.0			1590	2200	2900	3700	4570	5500
AH-270E-MH-1	2.7	2.0			1590	2200	2900	3700	4570	5500
AH-300E-MH-3	3.0	2.3			2250	2940	3710	4540	5430	6350
AH-300E-MH-1	3.0	2.3			2250	2940	3710	4540	5430	6350
AH-330E-MH-3	3.3	2.5			2690	3400	4180	5010	5880	6760
AH-380E-MH-3	3.8	2.9			†2190	†3060	†4050	5130	6250	7370
AH-430E-MH-3	4.0	3.0			2730	3760	4910	6130	7380	8620
AH-480E-MH-3	4.8	3.6			3180	4220	5420	6760	8200	9720
AH-540E-MH-3	5.4	4.1			3950	5030	6300	7760	9350	11030
AH-610E-MH-3	6.1	4.6			4300	5720	7380	9220	11240	13390
AH-680E-MH-3	6.8	5.1			5130	6720	8560	10630	12870	15210
AH-830E-MH-3	8.3	6.2			5140	7030	9170	11540	14080	16740
AH-1040E-MH-3	10.4	7.8			6460	8810	11470	14380	17480	20710
AH-1200E-MH-3	12.0	9.0			8640	11410	14520	17890	21440	25130
AH-1330E-MH-3	13.3	10.0			9650	12630	15990	19640	23510	27510

† The performance of MTZ040 compressor is greater than the MTZ045 at low Saturated Suction temperatures. 27

# Aussie Blue Star air cooled hermetic condensing units – cont'd



## STANDARD RANGE - 32°C AMBIENT, 20°C RETURN VAPOUR & INHERENT SUBCOOLING (2 TO 3K)

### CAPACITY RATINGS - WATTS

PRODUCT NUMBER	NOMINAL		SATURATED SUCTION TEMPERATURE °C							
	HP	kW	-40	-35	-30	-25	-20	-15	-10	-5
<b>LOW TEMPERATURE R507/R404A</b>										
AH-180E-L-3	1.8	1.4	730	1040	1410	1820	2290			
AH-180E-L-1	1.8	1.4	730	1040	1410	1820	2290			
AH-230E-L-3	2.3	1.7	1190	1620	2110	2680	3350			
AH-330E-L-3	3.3	2.5	1780	2410	3170	4070	5120			
AH-420E-L-3	4.2	3.2	2650	3610	4740	6040	7530			
AH-730E-L-3	7.3	5.5	3500	4960	6700	8750	11140			
AH-830E-L-3	8.3	6.2	5000	6840	9010	11500	14380			

## STANDARD RANGE - 43°C AMBIENT, 20°C RETURN VAPOUR & INHERENT SUBCOOLING (2 TO 3K)

### CAPACITY RATINGS - WATTS

PRODUCT NUMBER	NOMINAL		SATURATED SUCTION TEMPERATURE °C							
	HP	kW	-40	-35	-30	-25	-20	-15	-10	-5
<b>LOW TEMPERATURE R507/R404A</b>										
AH-180E-L-3	1.8	1.4		770	1050	1360	1730			
AH-180E-L-1	1.8	1.4		770	1050	1360	1730			
AH-230E-L-3	2.3	1.7		1180	1600	2060	2610			
AH-330E-L-3	3.3	2.5		1820	2410	3100	3930			
AH-420E-L-3	4.2	3.2		2770	3690	4730	5940			
AH-730E-L-3	7.3	5.5		3800	5240	6910	8890			
AH-830E-L-3	8.3	6.2		5190	7020	9100	11520			

## STANDARD RANGE

### SPECIFICATIONS

PRODUCT NUMBER	COMPRESSOR		FAN				UNIT		COND. AIR FLOW L/S	LIQUID RECEIVER PUMPDOWN kg
	MODEL NUMBER	DISP M3/hr	MODEL	QTY	VOLTS	RLA	VOLTS	RLA		
<b>MEDIUM TEMPERATURE</b>										
AH-150E-MH-3	MTZ18-4VI	5.3	S4E350-AP06-60	1	240/1	0.58	415-3	3.3	530	2.0
AH-150E-MH-1	MTZ18-5VI	5.3	S4E350-AP06-60	1	240/1	0.58	240-1	7.4	530	2.0
AH-180E-MH-3	MTZ22-4VI	6.6	S4E350-AP06-60	1	240/1	0.58	415-3	3.9	480	2.0
AH-180E-MH-1	MTZ22-5VI	6.6	S4E350-AP06-60	1	240/1	0.58	240-1	8.9	480	2.0
• AH-230E-MH-3	MTZ28-4VI	8.4	S4E350-AP06-60	1	240/1	0.58	415-3	5.1	620	3.6
• AH-230E-MH-1	MTZ28-5VI	8.4	S4E350-AP06-60	1	240/1	0.58	240-1	12.0	620	3.6
• AH-270E-MH-3	MTZ32-4VI	9.4	S4E450-AP01-21	1	240/1	1.1	415-3	6.1	1200	6.7
• AH-270E-MH-1	MTZ32-5VI	9.4	S4E450-AP01-21	1	240/1	1.1	240-1	13.5	1200	6.7
• AH-300E-MH-3	MTZ36-4VI	10.5	S4E450-AP01-21	1	240/1	1.1	415-3	6.9	1200	6.7
• AH-300E-MH-1	MTZ36-5VI	10.5	S4E450-AP01-21	1	240/1	1.1	240-1	15.5	1200	6.7
• AH-330E-MH-3	MTZ40-4VI	11.8	S4E450-AP01-21	1	240/1	1.1	415-3	7.6	1180	6.7
• AH-380E-MH-3	MTZ45-4VI	13.3	S4E450-AP01-21	1	240/1	1.1	415-3	8.0	1120	6.7
• AH-430E-MH-3	MTZ51-4VI	14.9	S4E450-AP01-21	1	240/1	1.1	415-3	9.0	1050	6.7
AH-480E-MH-3	MTZ57-4VI	16.7	S4E350-AP06-60	2	240/1	0.58	415-3	10.4	1010	6.7
AH-540E-MH-3	MTZ65-4VI	18.7	S4E450-AP01-21	2	240/1	1.1	415-3	11.0	2130	8.9
AH-610E-MH-3	MTZ73-4VI	21.0	S4E450-AP01-21	2	240/1	1.1	415-3	12.2	1940	8.9
AH-680E-MH-3	MTZ81-4VI	23.6	S4E450-AP01-21	2	240/1	1.1	415-3	13.5	2190	8.9
AH-830E-MH-3	MTZ100-4VI	29.8	FB050-VDK.4I.6P	2	415/3	1.2	415-3	17.0	3350	8.9
AH-1040E-MH-3	MTZ125-4VI	37.5	FB050-VDK.4I.6P	2	415/3	1.2	415-3	19.8	2920	8.9
AH-1200E-MH-3	MTZ144-4VI	42.1	FB050-VDK.4I.6P	2	415/3	1.2	415-3	25.2	3590	11.9
AH-1330E-MH-3	MTZ160-4VI	47.3	FB050-VDK.4I.6P	2	415/3	1.2	415-3	24.6	3400	11.9
<b>LOW TEMPERATURE</b>										
AH-180E-L-3	L TZ22-4VI	8.4	S4E350-AP06-60	1	240/1	0.58	415-3	2.7	530	3.6
AH-180E-L-1	L TZ22-5VI	8.4	S4E350-AP06-60	1	240/1	0.58	240-1	5.9	530	3.6
• AH-230E-L-3	L TZ28-4VI	11.8	S4E350-AP06-60	1	240/1	0.58	415-3	3.4	620	3.6
• AH-330E-L-3	L TZ40-4VI	16.7	S4E450-AP01-21	1	240/1	1.1	415-3	6.8	1180	6.7
AH-420E-L-3	L TZ50-4VI	23.6	S4E450-AP01-21	2	240/1	1.1	415-3	8.5	2130	8.9
AH-730E-L-3	L TZ88-4VI	37.5	S4E450-AP01-21	2	240/1	1.1	415-3	11.8	2190	8.9
AH-830E-L-3	L TZ100-4VI	47.3	FB050-VDK.4I.6P	2	415/3	1.2	415-3	12.7	3120	8.9

Note: Liquid receiver pumpdown values are for 80% full R404A @ 32°C. To convert liquid receiver size to R22 multiply above values by 1.163

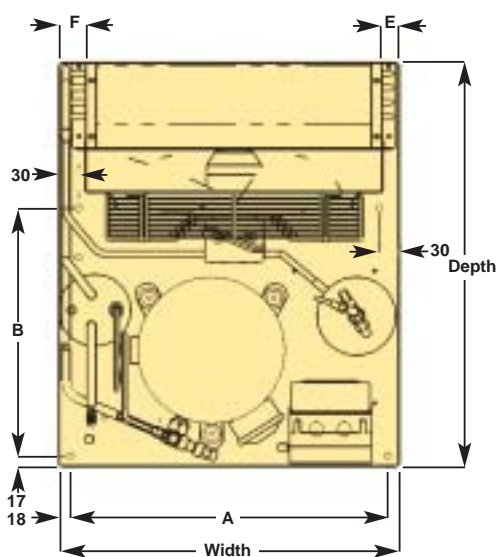
- Note: Twin fan alternative available. Same capacity as single fan model, see Technical Bulletin H073 for dimensional details and specifications.

# Aussie Blue Star air cooled hermetic condensing units – cont'd

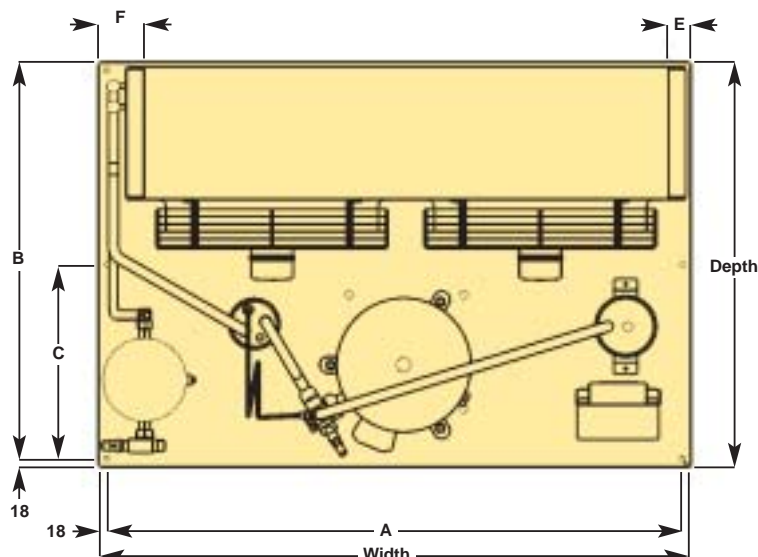


STANDARD RANGE													
DIMENSIONS													
PRODUCT NUMBER	OVERALL DIMENSIONS mm									CONNECTIONS		APPROX WT (kg)	
	HEIGHT	DEPTH	WIDTH	A	B	C	E	F	STYLE	SUCTION	REC. OUTLET	NETT	SHIPPING
<b>MEDIUM TEMPERATURE</b>													
AH-150E-MH-3	450	620	520	485	380	-	28	43.0	1	1/2"S	3/8"F	45	53
AH-150E-MH-1	450	620	520	485	380	-	28	43.0	1	1/2"S	3/8"F	45	53
AH-180E-MH-3	450	620	520	485	380	-	28	43.0	1	1/2"S	3/8"F	49	57
AH-180E-MH-1	450	620	520	485	380	-	28	43.0	1	1/2"S	3/8"F	49	57
• AH-230E-MH-3	555	710	790	754	674	-	100	112.0	1	5/8"S	3/8"F	65	75
• AH-230E-MH-1	555	710	790	754	674	-	100	112.0	1	5/8"S	3/8"F	65	75
• AH-270E-MH-3	655	770	980	944	734	-	145	93.0	1	3/4"S	1/2"S	80	93
• AH-270E-MH-1	655	770	980	944	734	-	145	93.0	1	3/4"S	1/2"S	81	94
• AH-300E-MH-3	655	770	980	944	734	-	145	93.0	1	3/4"S	1/2"S	82	95
• AH-300E-MH-1	655	770	980	944	734	-	145	93.0	1	3/4"S	1/2"S	82	95
• AH-330E-MH-3	655	770	980	944	734	-	145	93.0	1	3/4"S	1/2"S	85	98
• AH-380E-MH-3	655	770	980	944	734	-	145	93.0	1	1 3/8"S	1/2"S	103	116
• AH-430E-MH-3	655	770	980	944	734	-	145	93.0	1	1 3/8"S	1/2"S	108	121
AH-480E-MH-3	655	770	980	944	734	-	57	85.0	2	1 3/8"S	1/2"S	113	126
AH-540E-MH-3	670	870	1270	1234	834	417	48	98.0	2	1 3/8"S	1/2"S	115	133
AH-610E-MH-3	670	870	1270	1234	834	417	48	98.0	2	1 3/8"S	1/2"S	123	141
AH-680E-MH-3	825	870	1270	1234	834	417	48	98.0	2	1 3/8"S	1/2"S	132	150
AH-830E-MH-3	925	870	1270	1234	834	417	48	98.0	2	1 3/8"S	1/2"S	160	178
AH-1040E-MH-3	925	870	1270	1234	834	417	48	98.0	2	1 3/8"S	1/2"S	189	207
AH-1200E-MH-3	975	910	1610	1574	874	437	52	92.0	2	1 3/8"S	7/8"S	232	255
AH-1330E-MH-3	975	910	1610	1574	874	437	52	92.0	2	1 3/8"S	7/8"S	252	275
<b>LOW TEMPERATURE</b>													
AH-180E-L-3	450	620	520	485	380	-	28	43.0	1	3/4"S	3/8"F	45	53
AH-180E-L-1	450	620	520	485	380	-	28	43.0	1	3/4"S	3/8"F	45	53
• AH-230E-L-3	555	710	790	944	734	-	145	93.0	1	3/4"S	3/8"F	65	75
• AH-330E-L-3	655	770	980	944	734	-	145	93.0	1	1-3/8"S	1/2"S	94	107
AH-420E-L-3	670	870	1270	1234	834	417	48	98.0	2	1-3/8"S	1/2"S	111	129
AH-730E-L-3	825	870	1270	1234	834	417	48	98.0	2	1-3/8"S	1/2"S	153	171
AH-830E-L-3	925	870	1270	1234	834	417	48	98.0	2	1-3/8"S	1/2"S	176	194

• Note: Twin fan alternative available. Same capacity as single fan model, see Technical Bulletin H073 for dimensional details and specifications.



STYLE 1



STYLE 2

# Aussie Blue Star air cooled hermetic condensing units – cont'd

STANDARD RANGE									
OPTIONS FITTED									
PRODUCT NUMBER	OIL SEPARATOR	SUCTION ACCUMULATOR	HP/LP MANUAL (HP/LP)	HP/LP MANUAL (HP)	AUTO RESET LP	CONDENSER FAN CYCLE CONTROL	UNLOADED START KITS		
							WITH OIL SEP.	W/O OIL SEP.	
<b>MEDIUM TEMPERATURE R507/R404A</b>									
AH-150E-MH-3	KP336-1 1/2"	N/A							
AH-150E-MH-1									
AH-180E-MH-3	KP336-2 1/2"								
AH-180E-MH-1									
AH-230E-MH-3	KP336-3 1/2"	KP337-2 5/8"	KP339-1	KP338-1	KP340-2	KP343-1			
AH-230E-MH-1									
AH-270E-MH-3	KP336-4 5/8"	KP337-4 7/8"							
AH-270E-MH-1									
AH-300E-MH-3	KP336-5								
AH-300E-MH-1									
AH-330E-MH-3	KP336-6 5/8"	KP337-6 7/8"							KP337-11 KP337-12
AH-380E-MH-3									
AH-430E-MH-3	KP336-7 7/8"	KP337-7 1-1/8"							KP337-15 KP337-16
AH-480E-MH-3									
AH-540E-MH-3	KP336-8 7/8"								KP337-17 KP337-16
AH-610E-MH-3									
AH-680E-MH-3									
AH-830E-MH-3									
AH-1040E-MH-3									
AH-1200E-MH-3									
AH-1330E-MH-3									
<b>MEDIUM TEMPERATURE R22</b>									
AH-150E-MH-3	KP336-1 1/2"	N/A							
AH-150E-MH-1									
AH-180E-MH-3	KP336-2 1/2"								
AH-180E-MH-1									
AH-230E-MH-3	KP336-3 1/2"	KP337-2 5/8"	KP339-1	KP338-1	KP340-2	KP343-1			
AH-230E-MH-1									
AH-270E-MH-3	KP336-4 5/8"	KP337-4 7/8"							
AH-270E-MH-1									
AH-300E-MH-3	KP336-5								
AH-300E-MH-1									
AH-330E-MH-3	KP336-6 5/8"	KP337-6 7/8"							KP337-11 KP337-12
AH-380E-MH-3									
AH-430E-MH-3	KP336-7 7/8"	KP337-7 1-1/8"							KP337-15 KP337-16
AH-480E-MH-3									
AH-540E-MH-3	KP336-8 7/8"								KP337-17 KP337-16
AH-610E-MH-3									
AH-680E-MH-3									
AH-830E-MH-3									
AH-1040E-MH-3									
AH-1200E-MH-3									
AH-1330E-MH-3									
<b>MEDIUM TEMPERATURE R134a</b>									
AH-150E-MH-3	KP336-1 1/2"	N/A							
AH-150E-MH-1									
AH-180E-MH-3	KP336-2 1/2"								
AH-180E-MH-1									
AH-230E-MH-3	KP336-3 1/2"	KP337-2 5/8"	KP339-1	KP338-1	KP340-2	KP343-1			
AH-230E-MH-1									
AH-270E-MH-3	KP336-4 5/8"	KP337-4 7/8"							
AH-270E-MH-1									
AH-300E-MH-3	KP336-5								
AH-300E-MH-1									
AH-330E-MH-3	KP336-6 5/8"	KP337-6 7/8"							KP337-11 KP337-12
AH-380E-MH-3									
AH-430E-MH-3	KP336-7 7/8"	KP337-7 1-1/8"							KP337-15 KP337-16
AH-480E-MH-3									
AH-540E-MH-3	KP336-8 7/8"								KP337-17 KP337-16
AH-610E-MH-3									
AH-680E-MH-3									
AH-830E-MH-3									
AH-1040E-MH-3									
AH-1200E-MH-3									
AH-1330E-MH-3									
<b>LOW TEMPERATURE R507/R404A</b>									
AH-180E-L-3	KP336-1 1/2"	N/A							
AH-180E-L-1									
AH-230E-L-3	KP336-2	KP337-2	KP339-1	KP339-1	KP340-2	KP343-1			
AH-330E-L-3									
AH-420E-L-3	KP336-4	KP337-4							
AH-420E-L-3									
AH-730E-L-3	KP336-6	KP337-6							KP337-11 KP337-12
AH-730E-L-3									
AH-830E-L-3	KP336-10	KP337-7							KP337-15 KP337-19
AH-830E-L-3									

Note: Evaporator selection @ 7KTD max, -25°C for low temperature models & -5°C for medium temperature models



# Aussie Blue Star air cooled hermetic condensing units – cont'd

STANDARD RANGE							
OPTIONS SUPPLIED							
EVAPORATOR MODEL No.	DRIER	SIGHT GLASS	SOLENOID VALVE	COIL	THERMOSTAT		
<b>MEDIUM TEMPERATURE R507/R404A</b>							
KCR25	023Z0043	014-0162	032F1203	240VAC 50Hz 018F6702	Thermostat (Capillary Sensor) 060L1100		
KCR32	023Z0059	014-0182	032F1204				
KCR45	3/8"	3/8"	3/8"				
KCR37	023Z0044	014-0163 014-0183 1/2"	032F1235 032F1209 1/2"	240VAC 50Hz 018F6702	Thermostat (Capillary Sensor) 060L1100		
KCR56	023Z0060						
KCR63	1/2"						
KCR70	023Z0047			24VAC 50Hz 018Z6707	Thermostat (Room Sensor) 060L1106		
KCR82	023Z0064						
KCR94	1/2"						
KCR115	023Z0050 023Z0068			014-0186 7/8"	032F1238 032F1214	240VAC 50Hz 018F6702	Thermostat (Capillary Sensor) 060L1100
KCR129							
KCR160							
KCR190	023Z0071			014-0186 7/8"	032F1238 032F1214	24VAC 50Hz 018Z6707	Thermostat (Room Sensor) 060L1106
TBA	7/8"						
<b>MEDIUM TEMPERATURE R22</b>							
KCR25	023Z0006	014-0162	032F1203	240VAC 50Hz 018F6702	Thermostat (Capillary Sensor) 060L1100		
KCR36	023Z0022	014-0182	032F1204				
KCR47	3/8"	3/8"	3/8"				
KCR56	023Z0007	014-0163 014-0183 1/2"	032F1235 032F1209 1/2"	240VAC 50Hz 018F6702	Thermostat (Capillary Sensor) 060L1100		
KCR63	023Z0023						
KCR65	1/2"						
KCR75	023Z0010			24VAC 50Hz 018Z6707	Thermostat (Room Sensor) 060L1106		
KCR82							
KCR94							
KCR100	023Z0027			014-0186 7/8"	032F1238 032F1214	24VAC 50Hz 018Z6707	Thermostat (Room Sensor) 060L1106
KCR115	1/2"						
KCR129	023Z0013 023Z0031						
KCR147							
KCR190	023Z0034	014-0186 7/8"	032F1238 032F1214	24VAC 50Hz 018Z6707	Thermostat (Room Sensor) 060L1106		
TBA	7/8"						
<b>MEDIUM TEMPERATURE R134a</b>							
KCR24	023Z0006	014-0162	032F1203	240VAC 50Hz 018F6702	Thermostat (Capillary Sensor) 060L1100		
KCR25	023Z0022	014-0182	032F1204				
KCR32	3/8"	3/8"	3/8"				
KCR37	023Z0007	032F1235 032F1209 1/2"	014-0163 014-0183 1/2"	240VAC 50Hz 018F6702	Thermostat (Capillary Sensor) 060L1100		
KCR47	023Z0023						
KCR56	1/2"						
KCR63	023Z0010			24VAC 50Hz 018Z6707	Thermostat (Room Sensor) 060L1106		
KCR70							
KCR82							
KCR100	023Z0027			014-0186 7/8"	032F1238 032F1214	24VAC 50Hz 018Z6707	Thermostat (Room Sensor) 060L1106
KCR129	1/2"						
KCR160	023Z0013 023Z0031						
KCR190	023Z0034			014-0186 7/8"	032F1238 032F1214	240VAC 50Hz 018F6702	Thermostat (Room Sensor) 060L1106
KCR115 (x2)	7/8"						
<b>LOW TEMPERATURE R507/R404A</b>							
KFR19	023Z0006	014-0162	032F1203	240VAC 50Hz 018F6702	Thermostat (Room Sensor) 060L1106		
KFR24	023Z0022	014-0182	032F1204				
KFR41	3/8"	3/8"	3/8"				
KFR62	023Z0007	014-0163	032F1235	24VAC 50Hz 018Z6707	Thermostat (Room Sensor) 060L1106		
KFR87	023Z0023	014-0183	032F1209				
KFR130	1/2"	1/2"	1/2"				
KFR190	023Z0034	014-0186	032F1238				



NOTE: For TX Valve & Orifice selection assistance, please contact your local Application Engineer.

ITEMS IN BLUE DENOTE SOLDER CONNECTIONS

# Aussie Blue Star air cooled hermetic condensing units – cont'd



## HIGH AMBIENT RANGE - 38°C AMBIENT, 20°C RETURN VAPOUR & INHERENT SUBCOOLING (2 TO 3 K)

### CAPACITY RATINGS - WATTS

PRODUCT NUMBER	NOMINAL		SATURATED SUCTION TEMPERATURE °C							
	HP	kW	-25	-20	-15	-10	-5	0	5	10
<b>MEDIUM TEMPERATURE R507/R404A</b>										
AHD-150E-MH-3	1.5	1.1	830	1140	1500	1920	2380	2860	3340	3830
AHD-150E-MH-1	1.5	1.1	830	1140	1500	1920	2380	2860	3340	3830
AHD-180E-MH-3	1.8	1.4	1310	1740	2220	2730	3280	3830	4370	4910
AHD-180E-MH-1	1.8	1.4	1310	1740	2220	2730	3280	3830	4370	4910
AHD-230E-MH-3	2.3	1.7	1650	2200	2830	3530	4280	5070	5890	6750
AHD-230E-MH-1	2.3	1.7	1650	2200	2830	3530	4280	5070	5890	6750
AHD-270E-MH-3	2.7	2.0	1790	2390	3090	3880	4730	5620	6520	7420
AHD-270E-MH-1	2.7	2.0	1790	†2390	3090	3880	4730	5620	6520	7420
AHD-300E-MH-3	3.0	2.3	2280	2920	3660	4510	5430	6410	7410	8420
AHD-300E-MH-1	3.0	2.3	2280	2920	3660	4510	5430	6410	7410	8420
AHD-330E-MH-3	3.3	2.5	2410	3190	4090	5080	6140	7240	8340	9450
AHD-380E-MH-3	3.8	2.9	2390	3260	4270	5400	6610	7860	9110	10360
AHD-430E-MH-3	4.0	3.0	3070	4110	5280	6550	7860	9180	10480	11830
AHD-480E-MH-3	4.8	3.6	3690	4740	5970	7360	8890	10490	12120	13750
AHD-540E-MH-3	5.4	4.1	4500	5710	7100	8660	10340	12110	13910	15720
AHD-610E-MH-3	6.1	4.6	5340	6630	8230	10040	12020	14130	16320	18510
AHD-680E-MH-3	6.8	5.1	5760	7310	9150	11230	13500	15870	18300	20740
AHD-830E-MH-3	8.3	6.2	5980	7850	10030	12500	15210	18080	21020	23970
AHD-1040E-MH-3	10.4	7.8	8080	10400	13080	16050	19230	22520	25820	29120
AHD-1200E-MH-3	12.0	9.0	9410	12060	15120	18520	22190	26010	29890	33850
AHD-1330E-MH-3	13.3	10.0	10590	13510	16870	20560	24480	28520	32610	36820
<b>MEDIUM TEMPERATURE R22</b>										
AHD-150E-MH-3	1.5	1.1		900	1260	1690	2200	2790	3450	4190
AHD-150E-MH-1	1.5	1.1		900	1260	1690	2200	2790	3450	4190
AHD-180E-MH-3	1.8	1.4		1320	1860	2490	3190	3960	4800	5730
AHD-180E-MH-1	1.8	1.4		1320	1860	2490	3190	3960	4800	5730
AHD-230E-MH-3	2.3	1.7		2170	2900	3720	4630	5610	6680	7860
AHD-230E-MH-1	2.3	1.7		2170	2900	3720	4630	5610	6680	7860
AHD-270E-MH-3	2.7	2.0		2290	3070	3950	4910	5980	7160	8480
AHD-270E-MH-1	2.7	2.0		2290	3070	3950	4910	5980	7160	8480
AHD-300E-MH-3	3.0	2.3		2830	3720	4720	5820	7000	8280	9670
AHD-300E-MH-1	3.0	2.3		2830	3720	4720	5820	7000	8280	9670
AHD-330E-MH-3	3.3	2.5		3050	4040	5170	6420	7790	9280	10940
AHD-380E-MH-3	3.8	2.9		†2970	4060	5280	6640	8160	9810	11560
AHD-430E-MH-3	4.0	3.0		3510	4700	6050	7550	9220	11050	13020
AHD-480E-MH-3	4.8	3.6		4420	5640	7060	8680	10500	12510	14700
AHD-540E-MH-3	5.4	4.1		5030	6420	8040	9900	12000	14340	16920
AHD-610E-MH-3	6.1	4.6		5660	7250	9110	11250	13670	16360	19310
AHD-680E-MH-3	6.8	5.1		6260	8030	10140	12590	15350	18430	21810
AHD-830E-MH-3	8.3	6.2		6710	8860	11400	14330	17630	21300	25390
AHD-1040E-MH-3	10.4	7.8		9090	11890	15120	18760	22790	27230	32150
AHD-1200E-MH-3	12.0	9.0		10430	13540	17160	21280	25870	30940	36590
AHD-1330E-MH-3	13.3	10.0		11580	14990	18960	23470	28500	34070	40280
<b>MEDIUM TEMPERATURE R134a</b>										
AHD-150E-MH-3	1.5	1.1			870	1240	1660	2110	2580	3060
AHD-150E-MH-1	1.5	1.1			870	1240	1660	2110	2580	3060
AHD-180E-MH-3	1.8	1.4			1180	1640	2170	2760	3390	4050
AHD-180E-MH-1	1.8	1.4			1180	1640	2170	2760	3390	4050
AHD-230E-MH-3	2.3	1.7			1520	2060	2710	3460	4300	5210
AHD-230E-MH-1	2.3	1.7			1520	2060	2710	3460	4300	5210
AHD-270E-MH-3	2.7	2.0			1760	2400	3160	4010	4950	5950
AHD-270E-MH-1	2.7	2.0			1760	2400	3160	4010	4950	5950
AHD-300E-MH-3	3.0	2.3			2450	3190	4020	4940	5920	6940
AHD-300E-MH-1	3.0	2.3			2450	3190	4020	4940	5920	6940
AHD-330E-MH-3	3.3	2.5			2900	3660	4500	5410	6360	7340
AHD-380E-MH-3	3.8	2.9			†2570	†3490	4540	5690	6910	8130
AHD-430E-MH-3	4.0	3.0			3100	4200	5430	6760	8150	9530
AHD-480E-MH-3	4.8	3.6			3540	4660	5980	7480	9120	10850
AHD-540E-MH-3	5.4	4.1			4380	5580	7000	8610	10370	12210
AHD-610E-MH-3	6.1	4.6			4940	6480	8280	10290	12470	14780
AHD-680E-MH-3	6.8	5.1			5750	7450	9440	11680	14100	16640
AHD-830E-MH-3	8.3	6.2			5750	7780	10120	12740	15580	18560
AHD-1040E-MH-3	10.4	7.8			7260	9750	12590	15720	19070	22560
AHD-1200E-MH-3	12.0	9.0			9520	12480	15820	19480	23390	27450
AHD-1330E-MH-3	13.3	10.0			10520	13710	17330	21310	25550	29950

† The performance of MTZ040 compressor is greater than the MTZ045 at low Saturated Suction temperatures.

# Aussie Blue Star air cooled hermetic condensing units – cont'd



HIGH AMBIENT RANGE - 46°C AMBIENT, 20°C RETURN VAPOUR & INHERENT SUBCOOLING (2 TO 3 K)										
CAPACITY RATINGS - WATTS										
PRODUCT NUMBER	NOMINAL		SATURATED SUCTION TEMPERATURE °C							
	HP	kW	-25	-20	-15	-10	-5	0	5	10
<b>MEDIUM TEMPERATURE R507/R404A</b>										
AHD-150E-MH-3	1.5	1.1		880	1210	1560	1920	2300	2700	3070
AHD-150E-MH-1	1.5	1.1		880	1210	1560	1920	2300	2700	3070
AHD-180E-MH-3	1.8	1.4		1350	1770	2200	2630	3060	3480	3920
AHD-180E-MH-1	1.8	1.4		1350	1770	2200	2630	3060	3480	3920
AHD-230E-MH-3	2.3	1.7		1790	2330	2910	3520	4160	4820	5500
AHD-230E-MH-1	2.3	1.7		1790	2330	2910	3520	4160	4820	5500
AHD-270E-MH-3	2.7	2.0		1930	2550	3210	3890	4600	5320	6030
AHD-270E-MH-1	2.7	2.0		1930	2550	3210	3890	4600	5320	6030
AHD-300E-MH-3	3.0	2.3		2410	3050	3750	4490	5270	6070	6850
AHD-300E-MH-1	3.0	2.3		2410	3050	3750	4490	5270	6070	6850
AHD-330E-MH-3	3.3	2.5		2630	3430	4260	5120	5980	6860	7740
AHD-380E-MH-3	3.8	2.9		†2460	†3370	4340	5350	6390	7440	8440
AHD-430E-MH-3	4.0	3.0		3300	4300	5320	6380	7460	8550	9520
AHD-480E-MH-3	4.8	3.6		3920	4970	6100	7300	8570	9890	11170
AHD-540E-MH-3	5.4	4.1		4670	5870	7160	8520	9940	11380	12800
AHD-610E-MH-3	6.1	4.6		5340	6710	8240	9900	11640	13400	15080
AHD-680E-MH-3	6.8	5.1		5830	7460	9230	11100	13050	15040	16960
AHD-830E-MH-3	8.3	6.2		6280	8120	10110	12200	14360	16510	18460
AHD-1040E-MH-3	10.4	7.8		8510	10860	13350	15910	18530	21140	23550
AHD-1200E-MH-3	12.0	9.0		9910	12580	15420	18380	21460	24580	27540
AHD-1330E-MH-3	13.3	10.0		11200	14090	17140	20300	23560	26790	29720
<b>MEDIUM TEMPERATURE R22</b>										
AHD-150E-MH-3	1.5	1.1		760	1070	1450	1900	2410	3010	3680
AHD-150E-MH-1	1.5	1.1		760	1070	1450	1900	2410	3010	3680
AHD-180E-MH-3	1.8	1.4		1040	1530	2110	2750	3450	4230	5090
AHD-180E-MH-1	1.8	1.4		1040	1530	2110	2750	3450	4230	5090
AHD-230E-MH-3	2.3	1.7		1820	2490	3260	4090	5010	6000	7110
AHD-230E-MH-1	2.3	1.7		1820	2490	3260	4090	5010	6000	7110
AHD-270E-MH-3	2.7	2.0		1980	2690	3480	4360	5350	6460	7660
AHD-270E-MH-1	2.7	2.0		1980	2690	3480	4360	5350	6460	7660
AHD-300E-MH-3	3.0	2.3		2360	3210	4130	5150	6260	7460	8760
AHD-300E-MH-1	3.0	2.3		2360	3210	4130	5150	6260	7460	8760
AHD-330E-MH-3	3.3	2.5		2510	3480	4560	5760	7080	8530	10120
AHD-380E-MH-3	3.8	2.9		†2340	†3330	†4480	†5740	7140	8690	10330
AHD-430E-MH-3	4.0	3.0		2920	3990	5220	6580	8110	9800	11610
AHD-480E-MH-3	4.8	3.6		3930	5000	6250	7680	9290	11120	13150
AHD-540E-MH-3	5.4	4.1		4400	5650	7110	8770	10670	12820	15220
AHD-610E-MH-3	6.1	4.6		4880	6320	8020	9970	12170	14650	17390
AHD-680E-MH-3	6.8	5.1		5360	6980	8910	11120	13640	16500	19690
AHD-830E-MH-3	8.3	6.2		5370	7610	9950	12580	15580	19010	22850
AHD-1040E-MH-3	10.4	7.8		7860	10400	13320	16580	20210	24290	28780
AHD-1200E-MH-3	12.0	9.0		8980	11790	15040	18700	22830	27480	32640
AHD-1330E-MH-3	13.3	10.0		10020	13110	16680	20720	25260	30370	35970
<b>MEDIUM TEMPERATURE R134a</b>										
AHD-150E-MH-3	1.5	1.1				1040	1410	1800	2210	2630
AHD-150E-MH-1	1.5	1.1				1040	1410	1800	2210	2630
AHD-180E-MH-3	1.8	1.4				1390	1870	2390	2940	3530
AHD-180E-MH-1	1.8	1.4				1390	1870	2390	2940	3530
AHD-230E-MH-3	2.3	1.7				1810	2370	3040	3780	4580
AHD-230E-MH-1	2.3	1.7				1810	2370	3040	3780	4580
AHD-270E-MH-3	2.7	2.0				2070	2750	3510	4340	5240
AHD-270E-MH-1	2.7	2.0				2070	2750	3510	4340	5240
AHD-300E-MH-3	3.0	2.3				2830	3580	4400	5280	6210
AHD-300E-MH-1	3.0	2.3				2830	3580	4400	5280	6210
AHD-330E-MH-3	3.3	2.5				3300	4070	4890	5750	6640
AHD-380E-MH-3	3.8	2.9				†2860	†3830	4890	5990	7090
AHD-430E-MH-3	4.0	3.0				3560	4670	5860	7090	8320
AHD-480E-MH-3	4.8	3.6				4020	5200	6520	7960	9510
AHD-540E-MH-3	5.4	4.1				4810	6060	7500	9060	10700
AHD-610E-MH-3	6.1	4.6				5430	7070	8910	10910	13050
AHD-680E-MH-3	6.8	5.1				6340	8150	10180	12380	14730
AHD-830E-MH-3	8.3	6.2				6750	8870	11220	13750	16450
AHD-1040E-MH-3	10.4	7.8				8340	10930	13770	16790	19970
AHD-1200E-MH-3	12.0	9.0				10910	13950	17250	20760	24430
AHD-1330E-MH-3	13.3	10.0				12070	15310	18840	22610	26520

† The performance of MTZ040 compressor is greater than the MTZ045 at low Saturated Suction temperatures. 33

# Aussie Blue Star air cooled hermetic condensing units – cont'd



HIGH AMBIENT RANGE										
SPECIFICATIONS										
PRODUCT NUMBER	COMPRESSOR		FAN				UNIT		COND. AIR FLOW L/S	LIQUID RECEIVER PUMPDOWN kg
	MODEL NUMBER	DISP M3/hr	MODEL	QTY	VOLTS	RLA	VOLTS	RLA		
<b>MEDIUM TEMPERATURE</b>										
AHD-150E-MH-3	MTZ18-4VI	5.3	S4E350-AP06-60	1	240	0.58	415-3	3.3	530	2.0
AHD-150E-MH-1	MTZ18-5VI	5.3	S4E350-AP06-60	1	240	0.58	240-1	7.4	530	2.0
• AHD-180E-MH-3	MTZ22-4VI	6.6	S4E350-AP06-60	1	240	0.58	415-3	3.9	480	2.0
• AHD-180E-MH-1	MTZ22-5VI	6.6	S4E350-AP06-60	1	240	0.58	240-1	8.9	480	2.0
• AHD-230E-MH-3	MTZ28-4VI	8.4	S4E450-AP01-21	1	240	1.1	415-3	5.7	1200	6.7
• AHD-230E-MH-1	MTZ28-5VI	8.4	S4E450-AP01-21	1	240	1.1	240-1	12.5	1200	6.7
• AHD-270E-MH-3	MTZ32-4VI	9.4	S4E450-AP01-21	1	240	1.1	415-3	6.1	1200	6.7
• AHD-270E-MH-1	MTZ32-5VI	9.4	S4E450-AP01-21	1	240	1.1	240-1	13.5	1200	6.7
• AHD-300E-MH-3	MTZ36-4VI	10.5	S4E450-AP01-21	1	240	1.1	415-3	6.9	1180	6.7
• AHD-300E-MH-1	MTZ36-5VI	10.5	S4E450-AP01-21	1	240	1.1	240-1	15.5	1180	6.7
• AHD-330E-MH-3	MTZ40-4VI	11.8	S4E450-AP01-21	1	240	1.1	415-3	7.6	1120	6.7
• AHD-380E-MH-3	MTZ45-4VI	13.3	S4E450-AP01-21	1	240	1.1	415-3	8.0	1050	6.7
AHD-430E-MH-3	MTZ51-4VI	14.9	S4E350-AP06-60	2	240	0.58	415-3	9.0	1010	6.7
AHD-480E-MH-3	MTZ57-4VI	16.7	S4E450-AP01-21	2	240	1.1	415-3	11.4	2130	8.9
AHD-540E-MH-3	MTZ65-4VI	18.7	S4E450-AP01-21	2	240	1.1	415-3	11.0	1940	8.9
AHD-610E-MH-3	MTZ73-4VI	21.0	S4E450-AP01-21	2	240	1.1	415-3	12.2	2190	8.9
AHD-680E-MH-3	MTZ81-4VI	23.6	FB050-VDK.4I.6P	2	415	1.2	415-3	13.7	3350	8.9
AHD-830E-MH-3	MTZ100-4VI	29.8	FB050-VDK.4I.6P	2	415	1.2	415-3	17.0	3120	8.9
AHD-1040E-MH-3	MTZ125-4VI	37.5	FB050-VDK.4I.6P	2	415	1.2	415-3	19.8	2770	8.9
AHD-1200E-MH-3	MTZ144-4VI	42.1	FB050-VDK.4I.6P	2	415	1.2	415-3	25.2	3400	11.9
AHD-1330E-MH-3	MTZ160-4VI	47.3	FB050-VDK.4I.6P	2	415	1.2	415-3	24.6	3240	11.9

Note: Liquid receiver pumpdown values are for 80% full R404A @ 32°C. To convert liquid receiver size to R22 multiply above values by 1.163

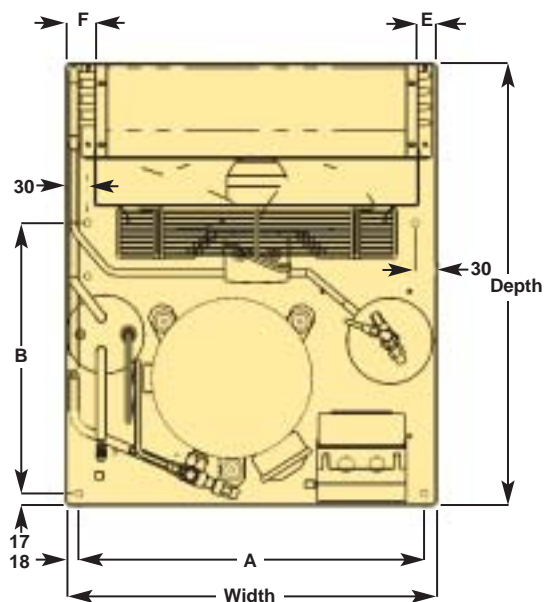
- Note: Twin fan alternative available. Same capacity as single fan model, see Technical Bulletin H073 for dimensional details and specifications.

# Aussie Blue Star air cooled hermetic condensing units – cont'd

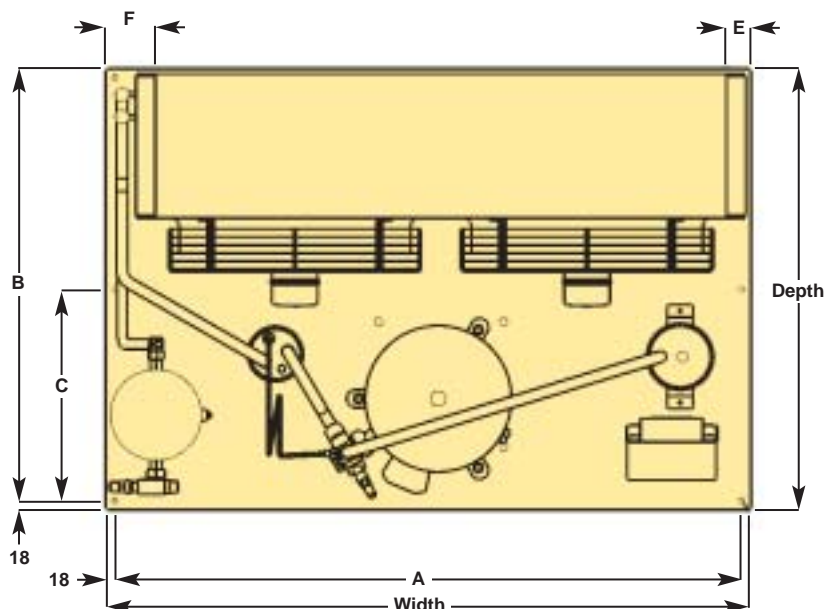


HIGH AMBIENT RANGE													
DIMENSIONS													
PRODUCT NUMBER	OVERALL DIMENSIONS mm									CONNECTIONS		APPROX WT (kg)	
	HEIGHT	DEPTH	WIDTH	A	B	C	E	F	STYLE	SUCTION	REC. OUTLET	NETT	SHIPPING
<b>MEDIUM TEMPERATURE</b>													
AHD-150E-MH-3	450	620	520	485	380	-	28	43.0	1	1/2"S	3/8"F	45	53
AHD-150E-MH-1	450	620	520	485	380	-	28	43.0	1	1/2"S	3/8"F	45	53
• AHD-180E-MH-3	555	710	790	754	674	-	100	112.0	1	5/8"S	1/2"S	58	68
• AHD-180E-MH-1	555	710	790	754	674	-	100	112.0	1	5/8"S	1/2"S	58	68
• AHD-230E-MH-3	655	770	980	944	734	-	145	93.0	1	5/8"S	1/2"S	80	93
• AHD-230E-MH-1	655	770	980	944	734	-	145	93.0	1	5/8"S	1/2"S	80	93
• AHD-270E-MH-3	655	770	980	944	734	-	145	93.0	1	3/4"S	1/2"S	81	94
• AHD-270E-MH-1	655	770	980	944	734	-	145	93.0	1	3/4"S	1/2"S	81	94
• AHD-300E-MH-3	655	770	980	944	734	-	145	93.0	1	3/4"S	1/2"S	84	97
• AHD-300E-MH-1	655	770	980	944	734	-	145	93.0	1	3/4"S	1/2"S	84	97
• AHD-330E-MH-3	655	770	980	944	734	-	145	93.0	1	3/4"S	1/2"S	92	105
• AHD-380E-MH-3	655	770	980	944	734	-	145	93.0	1	1 3/8"S	1/2"S	108	121
AHD-430E-MH-3	655	770	980	944	734	-	57	85.0	1	1 3/8"S	1/2"S	111	124
AHD-480E-MH-3	670	870	1270	1234	834	417	48	98.0	2	1 3/8"S	1/2"S	115	133
AHD-540E-MH-3	670	870	1270	1234	834	417	48	98.0	2	1 3/8"S	1/2"S	121	139
AHD-610E-MH-3	825	870	1270	1234	834	417	48	98.0	2	1 3/8"S	1/2"S	132	150
AHD-680E-MH-3	925	870	1270	1234	834	417	48	98.0	2	1 3/8"S	1/2"S	141	159
AHD-830E-MH-3	925	870	1270	1234	834	417	48	98.0	2	1 3/8"S	1/2"S	172	190
AHD-1040E-MH-3	925	870	1270	1234	834	417	48	98.0	2	1 3/8"S	1/2"S	194	212
AHD-1200E-MH-3	975	910	1610	1574	874	437	52	92.0	2	1 3/8"S	7/8"S	250	273
AHD-1330E-MH-3	975	910	1610	1574	874	437	52	92.0	2	1 3/8"S	7/8"S	269	292

• Note: Twin fan alternative available. Same capacity as single fan model, see Technical Bulletin H073 for dimensional details and specifications.



STYLE 1



STYLE 2

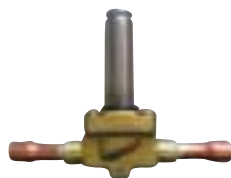
# Aussie Blue Star air cooled hermetic condensing units – cont'd

HIGH AMBIENT RANGE									
OPTIONS FITTED									
PRODUCT NUMBER	OIL SEPARATOR	SUCTION ACCUMULATOR	HP/LP MANUAL (HP/LP)	HP/LP MANUAL (HP)	AUTO RESET LP	CONDENSER FAN CYCLE CONTROL	UNLOADED START KITS		
							WITH OIL SEP.	W/O OIL SEP.	
<b>MEDIUM TEMPERATURE R507/R404A</b>									
AHD-150E-MH-3	KP336-1	N/A							
AHD-150E-MH-1	1/2"								
AHD-180E-MH-3	KP336-2	KP337-2							
AHD-180E-MH-1	1/2"	5/8"							
AHD-230E-MH-3									
AHD-230E-MH-1									
AHD-270E-MH-3	KP336-3						N/A	N/A	
AHD-270E-MH-1	1/2"								
AHD-300E-MH-3			KP339-1	KP338-1	KP340-2	KP343-1			
AHD-300E-MH-1									
AHD-330E-MH-3									
AHD-380E-MH-3	KP336-4	KP337-4							
AHD-430E-MH-3	KP336-5	7/8"							
AHD-480E-MH-3									
AHD-540E-MH-3	KP336-6	KP337-6					KP337-11	KP337-12	
AHD-610E-MH-3	5/8"	7/8"							
AHD-680E-MH-3	KP336-9						KP337-13	KP337-14	
AHD-830E-MH-3	KP336-7								
AHD-1040E-MH-3	7/8"	KP337-7					KP337-15	KP337-16	
AHD-1200E-MH-3	KP336-8	1-1/8"							
AHD-1330E-MH-3	7/8"						KP337-17	KP337-16	
<b>MEDIUM TEMPERATURE R22</b>									
AHD-150E-MH-3	KP336-1	N/A							
AHD-150E-MH-1	1/2"								
AHD-180E-MH-3	KP336-2	KP337-2							
AHD-180E-MH-1	1/2"	5/8"							
AHD-230E-MH-3									
AHD-230E-MH-1									
AHD-270E-MH-3	KP336-3						N/A	N/A	
AHD-270E-MH-1	1/2"								
AHD-300E-MH-3			KP339-1	KP338-1	KP340-2	KP343-1			
AHD-300E-MH-1									
AHD-330E-MH-3									
AHD-380E-MH-3	KP336-4	KP337-4							
AHD-430E-MH-3	KP336-5	7/8"							
AHD-480E-MH-3									
AHD-540E-MH-3	KP336-6	KP337-6					KP337-11	KP337-12	
AHD-610E-MH-3	5/8"	7/8"							
AHD-680E-MH-3	KP336-9						KP337-13	KP337-14	
AHD-830E-MH-3	KP336-7								
AHD-1040E-MH-3	7/8"	KP337-7					KP337-15	KP337-16	
AHD-1200E-MH-3	KP336-8	1-1/8"							
AHD-1330E-MH-3	7/8"						KP337-17	KP337-16	
<b>MEDIUM TEMPERATURE R134a</b>									
AHD-150E-MH-3	KP336-1	N/A							
AHD-150E-MH-1	1/2"								
AHD-180E-MH-3	KP336-2								
AHD-180E-MH-1	1/2"								
AHD-230E-MH-3									
AHD-230E-MH-1									
AHD-270E-MH-3	KP336-3	KP337-2					N/A	N/A	
AHD-270E-MH-1	1/2"	5/8"							
AHD-300E-MH-3			KP339-1	KP338-1	KP340-2	KP343-1			
AHD-300E-MH-1									
AHD-330E-MH-3									
AHD-380E-MH-3	KP336-4	KP337-4							
AHD-430E-MH-3	KP336-5	7/8"							
AHD-480E-MH-3									
AHD-540E-MH-3	KP336-6	KP337-6					KP337-11	KP337-12	
AHD-610E-MH-3	5/8"	7/8"							
AHD-680E-MH-3	KP336-9						KP337-13	KP337-14	
AHD-830E-MH-3	KP336-7								
AHD-1040E-MH-3	7/8"	KP337-7					KP337-15	KP337-16	
AHD-1200E-MH-3	KP336-8	1-1/8"							
AHD-1330E-MH-3	7/8"						KP337-17	KP337-16	

Note: Evaporator selection @ 7KTD max, -25°C for low temperature models & -5°C for medium temperature models

# Aussie Blue Star air cooled hermetic condensing units – cont'd

HIGH AMBIENT RANGE					
OPTIONS SUPPLIED					
EVAPORATOR MODEL No.	DRIER	SIGHT GLASS	SOLENOID VALVE	COIL	THERMOSTAT
<b>MEDIUM TEMPERATURE R507/R404A</b>					
KCR25	023Z0043 023Z0059	014-0162 014-0182	032F1203 032F1204	240VAC 50Hz 018F6702  24VAC 50Hz 018Z6707	Thermostat (Capillary Sensor) 060L1100  Thermostat (Room Sensor) 060L1106
KCR32	023Z0044 023Z0060 1/2"	014-0163 014-0183 1/2"	032F1235 032F1209 1/2"		
KCR45					
KCR37					
KCR56					
KCR63					
KCR70	023Z0047 023Z0064 1/2"				
KCR82					
KCR94					
KCR115					
KCR129					
KCR160	023Z0050 023Z0068				
KCR190	023Z0071 7/8"	014-0186 7/8"	032F1238 032F1214		
TBA					
<b>MEDIUM TEMPERATURE R22</b>					
KCR25	023Z0006 023Z0022	014-0162 014-0182	032F1203 032F1204	240VAC 50Hz 018F6702  24VAC 50Hz 018Z6707	Thermostat (Capillary Sensor) 060L1100  Thermostat (Room Sensor) 060L1106
KCR36	023Z0007 023Z0023 1/2"	014-0163 014-0183 1/2"	032F1235 032F1209 1/2"		
KCR47					
KCR56					
KCR63					
KCR65					
KCR75	023Z0010 023Z0027 1/2"				
KCR82					
KCR94					
KCR100					
KCR115					
KCR129	023Z0013 023Z0031				
KCR147					
KCR190	023Z0034 7/8"	014-0186 7/8"	032F1238 032F1214		
TBA					
TBA					
<b>MEDIUM TEMPERATURE R134a</b>					
KCR24	023Z0043 023Z0059	014-0162 014-0182	032F1203 032F1204	240VAC 50Hz 018F6702  24VAC 50Hz 018Z6707	Thermostat (Capillary Sensor) 060L1100  Thermostat (Room Sensor) 060L1106
KCR25	023Z0044 023Z0060 1/2"	014-0163 014-0183 1/2"	032F1235 032F1209 1/2"		
KCR32					
KCR37					
KCR47					
KCR56					
KCR63	023Z0047 023Z0064 1/2"				
KCR70					
KCR82					
KCR100					
KCR129					
KCR160	023Z0050 023Z0068				
KCR190	023Z0071 7/8"	014-0186 7/8"	032F1238 032F1214		
KCR115 (x2)					



NOTE: For TX Valve & Orifice selection assistance, please contact your local Application Engineer.  
ITEMS IN BLUE DENOTE SOLDER CONNECTIONS