

Copeland Semi-Hermetic basic condensing units



MEDIUM TEMPERATURE APPLICATIONS - 40°C CONDENSING										
PRODUCT NUMBER	CAPACITY WATTS									REC'R CAP Kg
	SATURATED SUCTION TEMPERATURE °C									
	-35	-30	-25	-20	-15	-10	-5	0	5	
COPELAND REED COMPRESSOR MODELS - R507/R404A										
DKJ10XB	750	1040	1380	1790	2260	2810	3440	4150	4960	3.8
DKSJ15XB	1070	1415	1820	2295	2855	3510	4265	5140	6140	3.8
DLE20XB	1125	1720	2405	3205	4135	5215	6470	7915	9570	6.9
DLJ30XB	2145	2965	3930	5055	6375	7910	9695	11750	14100	6.9
DLL40XB	2710	3845	5170	6725	8540	10650	13090	15890	19080	11.9
D2SC65XB-1		5700	7500	9600	12000	14800	18000	21700	26000	34.5
D3SA75XB-1		6400	8650	11250	14250	17800	21800	26400	31500	34.5
D3SC100XB-1		8000	10550	13550	17100	21300	26100	31500	38000	34.5
D3SS150XB-1		11500	14900	18800	23400	28700	35000	42000	50000	34.5
D4SA200XB-1		12000*	15900	20400	25600	31500	38500	47000	56000	34.5
D4SH250XB-1		14850*	19600	25000	31500	39000	47500	57000	68500	34.5
D4SJ300XB-1		17800*	23600	30500	38000	47000	58000	70000	83500	34.5
D6SH350XB-1		22000*	28900	37000	46500	57500	70000	84500	101000	34.5
D6SJ400XB-1		26000*	34000	43500	54500	67000	82000	99000	118000	34.5
D6SK500XB-1		30500*	40500	52000	65500	81000	99500	120000	143500	86.3
D8SJ600XB-1		37000*	49000	62500	79000	97500	119500	144500	173000	86.3

MEDIUM TEMPERATURE APPLICATIONS - 45°C CONDENSING										
PRODUCT NUMBER	CAPACITY WATTS									REC'R CAP Kg
	SATURATED SUCTION TEMPERATURE °C									
	-35	-30	-25	-20	-15	-10	-5	0	5	
COPELAND REED COMPRESSOR MODELS - R507/R404A										
DKJ10XB	640	910	1230	1600	2030	2540	3120	3780	4530	3.8
DKSJ15XB	937	1260	1635	2075	2595	3200	3905			3.8
DLE20XB	871	1430	2070	2810	3665	4655	5805	7130	8655	6.9
DLJ30XB	1770	2540	3425	4460	5665	7070	8705	10590	12760	6.9
DLL40XB	2273	3330	4558	5995	7670	9615	11870	14460	17465	11.9
D2SC65XB-1		5100	6750	8700	10900	13500	16400	19800	23700	34.5
D3SA75XB-1		5600	7650	10050	12850	16100	19800	24100	28900	34.5
D3SC100XB-1		7150	9500	12250	15500	19300	23800	29000	35000	34.5
D3SS150XB-1		10350	13550	17200	21400	26300	32000	38500	46000	34.5
D4SA200XB-1		10650*	14250	18400	23200	28800	35000	42500	51000	34.5
D4SH250XB-1		13300*	17600	22600	28300	35000	42500	51500	62000	34.5
D4SJ300XB-1		15800*	21200	27400	34500	43000	52500	64000	76500	34.5
D6SH350XB-1		19600*	26000	33500	42000	52000	63500	76500	92000	34.5
D6SJ400XB-1		23100*	30500	39000	49000	60500	74000	89000	106500	34.5
D6SK500XB-1		27200*	36500	47000	59500	73500	90500	109500	131500	86.3
D8SJ600XB-1		33000*	44000	56500	71500	88500	108500	131500	158000	86.3

NOTES:

* Ratings for 50°C are available on request.

* Capacities based on nominated ambient temperatures, 20°C return vapour & 0K subcooling

* Receiver capacity based on 80% liquid & 20% vapour by volume at 32°C (rated ambient) condition.

Shaded areas denote mandatory use of head cooling fans - **which must be ordered separately**

CONVERSION FACTORS	SATURATED SUCTION TEMPERATURE °C									REC'R CAP. Kg	
	-35	-30	-25	-20	-15	-10	-5	0	5		
R404A TO R407B	0.95	0.97	1.00	1.01	1.01	1.01	1.01	1.01	1.02	-	1.19

Copeland Semi-Hermetic basic condensing units



LOW TEMPERATURE APPLICATIONS - 40°C CONDENSING

PRODUCT NUMBER	CAPACITY WATTS									REC'R CAP Kg
	SATURATED SUCTION TEMPERATURE °C									
	-35	-30	-25	-20	-15	-10	-5	0	5	
COPELAND REED COMPRESSOR MODELS - R507/R404A										
DKL20XB	1100	1520	2020	2610	3300	4100	5000			3.8
DKSL20XB	1560	2070	2670	3370	4190	5150	6200			3.8
DLL30XB	2690	3800	5105	6630						6.9
D2SA45XB-1	3600*	4850	6300	8050	10050	12350	14950			34.5
D3SA75XB-1		6400	8650	11250	14250	17800	21800	26400	31500	34.5
D3SC75XB-1	5650*	7650	10100	13050	16500	20600	25300			34.5
D3SS100XB-1	8300	11000	14200	17900	22200	27200	33000			34.5
D4SF100XB-1	9450	12550	16200	20500	25600	31500	38500			34.5
D4SL150XB-1	12400	16300	21000	26400	32500	40000	48500			34.5
D4ST200XB-1	14450	19200	24800	31500	39000	48000	58000			34.5
D6SL250XB-1	17900	23800	30500	39000	48000	58500	70500			34.5
D6ST320XB-1	21200	28000	36000	45500	56000	68500	83000			34.5
D6SU400XB-1	24800	33000	42500	54000	67000	82500	100000			86.3
D8SJ450XB-1	29900	40000	51500	65000	81000	99500	121000			86.3

LOW TEMPERATURE APPLICATIONS - 45°C CONDENSING

PRODUCT NUMBER	CAPACITY WATTS									REC'R CAP Kg
	SATURATED SUCTION TEMPERATURE °C									
	-35	-30	-25	-20	-15	-10	-5	0	5	
COPELAND REED COMPRESSOR MODELS - R507/R404A										
DKL20XB	940	1330	1790	2330	2950	3700	4500			3.8
DKSL20XB	1390	1860	2410	3060	3820	4700	5700			3.8
DLL30XB	2268	3293	4503	5918						6.9
D2SA45XB-1	3160*	4300	5650	7250	9100	11250	13700			34.5
D3SA75XB-1		5600	7650	10050	12850	16100	19800	24100	28900	34.5
D3SC75XB-1	5013*	6800	9000	11700	14850	18600	22900			34.5
D3SS100XB-1		9950	12900	16300	20300	24900	30500			34.5
D4SF100XB-1		11250	14600	18500	23200	28700	35000			34.5
D4SL150XB-1		14700	18900	23900	29700	36500	44000			34.5
D4ST200XB-1		17200	22400	28500	35500	44000	53500			34.5
D6SL250XB-1		21400	27700	35000	43500	53000	64000			34.5
D6ST320XB-1		25000	32000	40500	50500	62000	75000			34.5
D6SU400XB-1		29600	38500	49000	61500	75500	92000			86.3
D8SJ450XB-1		35500	46500	59000	74000	91000	111000			86.3

NOTES:

* Ratings for 50°C are available on request.

* Capacities based on nominated ambient temperatures, 20°C return vapour & 0K subcooling

* Receiver capacity based on 80% liquid & 20% vapour by volume at 32°C (rated ambient) condition.

Shaded areas denote mandatory use of head cooling fans - **which must be ordered separately**

CONVERSION FACTORS	SATURATED SUCTION TEMPERATURE °C									REC'R CAP. Kg
	-35	-30	-25	-20	-15	-10	-5	0	5	
R404A TO R407B	0.95	0.97	1.00	1.01	1.01	1.01	1.01	1.02	-	1.19

Copeland Semi-Hermetic basic condensing units

MEDIUM TEMPERATURE APPLICATIONS - 40°C CONDENSING

PRODUCT NUMBER	CAPACITY WATTS									REC'R CAP Kg
	SATURATED SUCTION TEMPERATURE °C									
	-35	-30	-25	-20	-15	-10	-5	0	5	
COPELAND REED COMPRESSOR MODELS - R507/R404A										
DKJ10XB	670	930	1240	1620	2070	2590	3200	3890	4670	4.2
DKSJ15XB	927	1240	1630	2100	2650	3280	3995	4800	5690	4.2
DLE20XB	1105	1600	2205	2940	3820	4860	6070	7475	9085	7.8
DLJ30XB	1890	2675	3655	4835	6215	7800	9585	11580	13790	7.8
DLL40XB	2565	3545	4760	6210	7900	9840	12040	14490	17210	13.7
D2SC65XB-1				9450	11850	14600	17800	21500	25600	40.0
D3SA75XB-1				9600	12300	15500	19400	23800	29100	40.0
D3SC100XB-1				11800	14900	18700	23100	28400	34500	40.0
D3SS150XB-1				16500	20700	25700	31500	38500	46000	40.0
D4SA200XB-1				19400*	24400	30000	37000	45000	53500	40.0
D4SH250XB-1				23600*	29900	37500	46000	56000	67000	40.0
D4SJ300XB-1				27100*	34500	43500	54000	66000	79500	40.0
D6SH350XB-1				35000*	44000	54000	66500	80500	96500	40.0
D6SJ400XB-1				39500*	50500	63500	78500	96000	115500	40.0
D6SK500XB-1			35000*	46500*	60000	75500	94000	115000	139000	100.0
D8SJ600XB-1					71500	91500	113500	139500	168500	100.0



MEDIUM TEMPERATURE APPLICATIONS - 45°C CONDENSING

PRODUCT NUMBER	CAPACITY WATTS									REC'R CAP Kg
	SATURATED SUCTION TEMPERATURE °C									
	-35	-30	-25	-20	-15	-10	-5	0	5	
COPELAND REED COMPRESSOR MODELS - R507/R404A										
DKJ10XB	600	840	1140	1490	1910	2410	2980	3640	4380	4.2
DKSJ15XB	843	1140	1505	1945	2465	3060	3735	4494	5345	4.2
DLE20XB	959	1425	1995	2685	3510	4485	5625	6950	8470	7.8
DLJ30XB	1675	2415	3335	4445	5745	7230	8915	10800	12880	7.8
DLL40XB	2305	3230	4370	5735	7330	9160	11230	13550	16120	13.7
D2SC65XB-1					10800	13300	16200	19600	23400	40.0
D3SA75XB-1					11450	14500	18100	22300	27200	40.0
D3SC100XB-1					13950	17500	21600	26600	32500	40.0
D3SS150XB-1					19400	24100	29600	36000	43500	40.0
D4SA200XB-1					22800	28400	35000	42000	50500	40.0
D4SH250XB-1					28100	35000	43000	52500	63500	40.0
D4SJ300XB-1					32500	41000	50500	62000	75000	40.0
D6SH350XB-1					41000	51000	62000	75500	90500	40.0
D6SJ400XB-1					47000	59000	73500	90000	109000	40.0
D6SK500XB-1			32500*	43000*	55500	70500	87500	107500	130500	100.0
D8SJ600XB-1					66500	85000	106500	131000	159000	100.0

NOTES:

* Ratings for 50°C are available on request.

* Capacities based on nominated ambient temperatures, 20°C return vapour & 0K subcooling

* Receiver capacity based on 80% liquid & 20% vapour by volume at 32°C (rated ambient) condition.

Shaded areas denote mandatory use of head cooling fans - **which must be ordered separately**

CONVERSION FACTORS	SATURATED SUCTION TEMPERATURE °C									REC'R CAP. Kg
	-35	-30	-25	-20	-15	-10	-5	0	5	
R404A TO R407B	0.95	0.97	1.00	1.01	1.01	1.01	1.01	1.02	-	1.19

Copeland Semi-Hermetic basic condensing units



LOW TEMPERATURE APPLICATIONS - 40°C CONDENSING

PRODUCT NUMBER	CAPACITY WATTS									REC'R CAP Kg
	SATURATED SUCTION TEMPERATURE °C									
	-35	-30	-25	-20	-15	-10	-5	0	5	
COPELAND REED COMPRESSOR MODELS - R22										
DKSL20XB	1350	1820	2380	3030	3800	4700	5700			4.2
DLL30XB	2570	3560	4760	6195	7885					7.8
D2SA45XB-1				6900*	8750	10900	13400			40.0
D3SA75XB-1				9600	12300	15500	19400	23800	29100	40.0
D3SC75XB-1	4950	6900	9250	12100	15500	19400	24000			40.0
D3SS100XB-1	6800*	9500*	12650*	16400*	20700	25800	31500			40.0
D4SF100XB-1		9200*	12650*	16700	21500	27000	33500			40.0
D4SL150XB-1		11600*	16100*	21500	27700	34500	42500			40.0
D4ST200XB-1		13450*	18900*	25400	33000	41500	51000			40.0
D6SL250XB-1		17000*	23500*	31000	40000	50000	61500			40.0
D6ST320XB-1		21104*	28300*	37000	47000	58500	72000			40.0
D8SJ450XB-1		32500*	43000*	56000	70500	88000	107500			100.0

LOW TEMPERATURE APPLICATIONS - 45°C CONDENSING

PRODUCT NUMBER	CAPACITY WATTS									REC'R CAP Kg
	SATURATED SUCTION TEMPERATURE °C									
	-35	-30	-25	-20	-15	-10	-5	0	5	
COPELAND REED COMPRESSOR MODELS - R22										
DKSL20XB	1230	1680	2200	2820	3550	4400	5350			4.2
DLL30XB	2305	3245	4380	5740						7.8
D2SA45XB-1				6400*	8150	10200	12550			40.0
D3SA75XB-1					11450	14500	18100	22300	27200	40.0
D3SC75XB-1	4350	6200	8400	11100	14300	18000	22400			40.0
D3SS100XB-1	6100*	8600*	11600*	15100*	19200	24000	29500			40.0
D4SF100XB-1		8200*	11500*	15300	19800	25000	31000			40.0
D4SL150XB-1		10200*	14450*	19500	25400	32000	39500			40.0
D4ST200XB-1		11800*	16900*	23100	30000	38500	47500			40.0
D6SL250XB-1		15100*	21200*	28500	37000	46500	57500			40.0
D6ST320XB-1		19082*	25600*	33500	43000	54000	67000			40.0
D8SJ450XB-1		29600*	40000*	51500	65500	81500	100500			100.0

NOTES:

* Ratings for 50°C are available on request.

* Capacities based on nominated ambient temperatures, 20°C return vapour & 0K subcooling

* Receiver capacity based on 80% liquid & 20% vapour by volume at 32°C (rated ambient) condition.

Shaded areas denote mandatory use of head cooling fans - **which must be ordered separately**

CONVERSION FACTORS	SATURATED SUCTION TEMPERATURE °C									REC'R CAP. Kg
	-35	-30	-25	-20	-15	-10	-5	0	5	
R404A TO R407B	0.95	0.97	1.00	1.01	1.01	1.01	1.01	1.02	-	1.19

Copeland Semi-Hermetic basic condensing units

SPECIFICATIONS

PRODUCT NUMBER	ELECTRICAL DATA										
	COMPRESSOR				AMPS / PHASE			HEAD FAN MOTOR			
	PRODUCT NUMBER	NOMINAL HP	DISPL. cm3/rev	VOLTS	RLA *1	MCC *1	LRA	STD/OPTION	VOLTS	WATTS	RLA
COPELAND REED MEDIUM TEMPERATURE UNITS											
DKJ10XB	DKJ10X-EWL	1.0	59.0	380-420	2.6	3.19	15.5	STD	240/1	70	0.3
DKSJ15XB	DKSJ15X-EWL	1.5	84.8	380-420	3.2	3.4	20.4	STD	240/1	70	0.3
DLE20XB	DLE20X-EWL	2.0	113.3	380-420	4.6	5.7	37.6	STD	240/1	70	0.3
DLJ30XB	DLJ30X-EWL	3.0	166.7	380-420	6.7	8.07	53	STD	240/1	70	0.3
DLL40XB	DLL40X-EWL	4.0	208.4	380-420	7.9	9.5	68.5	STD	240/1	70	0.3
D2SC65XB-1	D2SC65X-AWM	6.5	308.6	380-420	12.7	16.2	85.3	OPTION	240/1	70	0.3
D3SA75XB-1	D3SA75X-AWM	7.5	370.0	380-420	14.2	17.9	82	OPTION	240/1	70	0.3
D3SC100XB-1	D3SC100X-AWM	10.0	436.3	380-420	16.8	21.6	106	OPTION	240/1	70	0.3
D3SS150XB-1	D3SS150X-AWM	15.0	573.3	380-420	23.2	30.2	125	OPTION	240/1	70	0.3
D4SA200XB-1	D4SA200X-AWM	20.0	643.7	380-420	24.2	30.5	160	OPTION	240/1	70	0.3
D4SH250XB-1	D4SH250X-AWM	25.0	813.8	380-420	31.1	40.1	192	OPTION	240/1	70	0.3
D4SJ300XB-1	D4SJ300X-AWM	30.0	973.6	380-420	36.2	47.7	218	OPTION	240/1	70	0.3
D6SH350XB-1	D6SH350X-AWM	35.0	1218.4	380-420	49.6	62.4	284	OPTION	240/1	70	0.3
D6SJ400XB-1	D6SJ400X-AWM	40.0	1744.8	380-420	55.2	71.8	347	OPTION	240/1	70	0.3
D6SK500XB-1	D6SK500X-AWM	50.0	1745.1	380-420	71	94.7	415	OPTION	240/1	70	0.3
D8SJ600XB-1	D8SJ600X-AWM	60.0	2080.5	380-420	84	107	544	OPTION	240/1	70	0.3
COPELAND REED -LOW TEMP -UNITS											
DKL20XB	DKL20X-EWL	2.0	84.8	380-420	2.6	3.83	20.4	STD	240/1	70	0.3
DKSL20XB	DKSL20X-EWL	2.0	104.6	380-420	3.2	4.7	20.4	STD	240/1	70	0.3
DLL30XB	DLL30X-EWL	3.0	208.4	380-420	5.5	7.3	53	STD	240/1	70	0.3
D2SA45XB-1	D2SA45X-AWM	4.5	257.6	380-420	7.4	11.4	68.5	OPTION	240/1	70	0.3
D3SA75XB-1	D3SA75X-AWM	7.5	370.0	380-420	14.2	17.9	82	OPTION	240/1	70	0.3
D3SC75XB-1	D3SC75X-AWM	7.5	436.3	380-420	12.4	18.7	82	OPTION	240/1	70	0.3
D3SS100XB-1	D3SS100X-AWM	10.0	573.6	380-420	15.5	26	109	OPTION	240/1	70	0.3
D4SF100XB-1	D4SF100X-AWM	10.0	643.7	380-420	16.9	26.6	104	OPTION	240/1	70	0.3
D4SL150XB-1	D4SL150X-AWM	15.0	813.8	380-420	21.4	35.1	140	OPTION	240/1	70	0.3
D4ST200XB-1	D4ST200X-AWM	20.0	973.6	380-420	24.2	39.6	160	OPTION	240/1	70	0.3
D6SL250XB-1	D6SL250X-AWM	25.0	1218.4	380-420	31.4	51.6	192	OPTION	240/1	70	0.3
D6ST300XB-1	D6ST300X-AWM	30.0	1459.8	380-420	39.2	64.9	284	OPTION	240/1	70	0.3
D6SU400XB-1	D6SU400X-AWM	40.0	1744.8	380-420	48.9	73.7	347	OPTION	240/1	70	0.3
D8SJ450XB-1	D8SJ450X-AWM	45.0	2080.5	380-420	53.3	90.8	390	OPTION	240/1	70	0.3

NOTES:

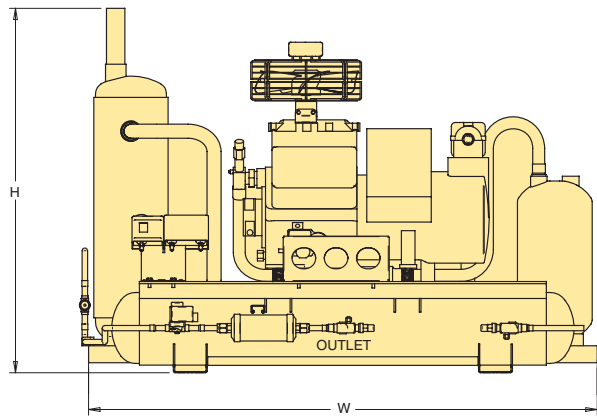
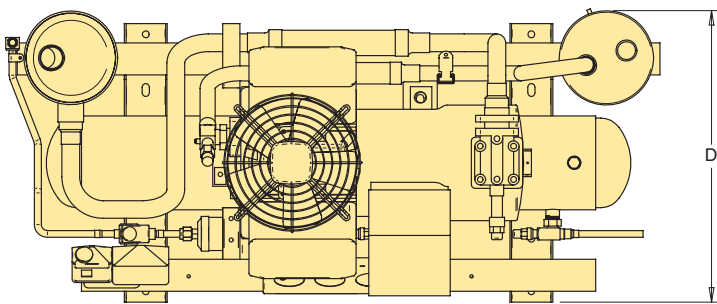
- *1 RLA is taken at compressor rating point.
- *2 M.C.C. (Maximum Continuous Current) is intended to be used as a guide for power supply rating, protection setting, and functional settings such as CPR valves.
- *3 Unit R.L.A. & Input Watts at +5°C SST - R22 and -25°C SST - R404A (LT) and SCT at compressor nominal rating condition.
- *4 Values given are based at nominal rating conditions. Actual levels may vary according to unit loading.
- *5 Dimensions shown are with or without head cooling fans. Note: All DK & DL compressors require head cooling fans.
- *6 Dimensions given as overall (incl. compressor or receiver overhang and base size only where applicable).
* Receiver capacity based on 80% liquid 20% vapour by volume at 32°C ambient
- * Sound Power Ratings: Provisional ratings are based on compressor manufacturers sound power data.
- * For changed liquid entering temperature: Increase capacity by 1% for each 1°C lower liquid entering temperature. Decrease capacity by 1% for every 1°C higher liquid temperature.
- * For lower return vapour temperature, multiply rated capacity by factor for capacity at 10K superheat:

Copeland Semi-Hermetic basic condensing units

SPECIFICATIONS

ELECTRICAL DATA			SOUND POWER dBA *4	HEAD COOLING FAN		DIMENSIONS					APPROX WEIGHT kg		
UNIT				PRODUCT NUMBER	AIRFLOW L/SEC	UNIT			RECEIVER CONNECTIONS				
WATTS INPUT	AMPS / PHASE					HEIGHT H *5	WIDTH W	DEPTH D *6	CONNECTIONS			PART No.	CONN In/out
	RLA *3	MCC					SUCTION	DISCH.					
COPELAND REED MEDIUM TEMPERATURE UNITS													
1526	3.8	4.39	52	MPB111-1	380	595	940	490	5/8"	1/2"	3310-105544	16mm O.D.	90
2100	4.5	4.7	60	MPB111-1	380	595	940	490	5/8"	1/2"	3310-105544	16mm O.D.	100
2610	5.9	7.0	58	MPB111-3	380	734	940	490	7/8"	5/8"	3310-167082	1/2" MF	140
4350	8.14	9.51	59	MPB111-3	380	734	940	490	7/8"	5/8"	3310-167082	1/2" MF	140
5210	9.34	10.94	70	MPB111-3	380	734	990	530	1-1/8"	5/8"	3310-1686145	5/8" MF	150
7700	14.14	17.64	71	KP415-95	380	1040/755	1610	690	1-1/8"	7/8"	HR40XB	3/4" S	225
8550	15.64	19.34	75	KP415-96	380	1040/755	1610	690	1-3/8"	1-1/8"	HR40XB	3/4" S	250
10590	19	23.8	75	KP415-96	380	1040/755	1610	690	1-3/8"	1-1/8"	HR40XB	3/4" S	260
15480	27.6	34.6	75	KP415-96	380	1040/755	1610	690	1-3/8"	1-5/8"	HR40XB	3/4" S	260
15780	28.6	34.9	77	KP415-98	380	1000/755	1610	690	1-5/8"	1-1/8"	HR40XB	3/4" S	300
19880	35.5	44.5	78	KP415-98	380	1000/755	1610	690	2-1/8"	1-1/8"	HR40XB	3/4" S	310
23780	40.6	52.1	77	KP415-97	380	1000/755	1610	690	2-1/8"	1-3/8"	HR40XB	3/4" S	320
30820	56.2	69.0	84	KP415-99	380	1075/750	1610	690	2-1/8"	1-3/8"	HR40XB	3/4" S	350
34920	61.8	78.4	81	KP415-100	380	1075	1610	690	2-1/8"	1-3/8"	HR40XB	3/4" S	380
40620	77.6	101.3	85	KP415-100	380	1210/1075	1500	1086	2-5/8"	1-5/8"	HR100XB	1-5/8" S	390
46720	90.6	113.6	83	KP415-102	380	1190/1075	1500	1086	3-1/8"	1-5/8"	HR100XB	1-5/8" S	430
COPELAND REED -LOW TEMP -UNITS													
1416	3.8	5.03	59	MPB111-1	380	595	940	490	5/8"	1/2"	3310-105544	16mm O.D.	140
1990	4.5	6.0	59	MPB111-1	380	595	940	490	5/8"	1/2"	3310-105544	16mm O.D.	140
3480	6.94	8.74	59	MPB111-3	380	734	950	493	1 1/8"	5/8"	3310-167082	1/2" MF	150
4640	8.84	12.84	65	KP415-95	380	1610	690	900	1 1/8"	7/8"	HR40XB	3/4" S	200
8550	15.64	19.34	73	KP415-96	380	1610	690	900	1 3/8"	1 1/8"	HR40XB	3/4" S	250
6750	13.84	20.14	73	KP415-96	380	1610	690	900	1 3/8"	1 1/8"	HR40XB	3/4" S	250
9310	18.8	29.3	74	KP415-96	380	1610	690	900	1 3/8"	1 1/8"	HR40XB	3/4" S	270
10390	19.1	28.8	79	KP415-98	380	1610	690	900	1 5/8"	1 1/8"	HR40XB	3/4" S	280
14180	25.8	39.5	79	KP415-98	380	1610	690	900	1 5/8"	1 1/8"	HR40XB	3/4" S	300
16080	28.6	44.0	79	KP415-98	380	1610	690	900	2 1/8"	1 3/8"	HR40XB	3/4" S	320
21120	38	58.2	80	KP415-99	380	1610	690	900	2 1/8"	1 3/8"	HR40XB	3/4" S	340
23920	45.8	71.5	80	KP415-99	380	1610	690	900	2 1/8"	1 3/8"	HR40XB	3/4" S	360
27720	55.5	80.3	80	KP415-100	380	1500	1086	500	2 5/8"	1 5/8"	HR100XB	1-5/8" S	380
31200	59.9	97.4	81	KP415-102	380	1500	1086	500	3 1/8"	1 5/8"	HR100XB	1-5/8" S	420

SECTION 3



Dorin Semi-Hermetic basic condensing units



LOW/MEDIUM TEMPERATURE APPLICATIONS - 40°C CONDENSING

PRODUCT NUMBER	CAPACITY WATTS									REC'R CAP Kg
	SATURATED SUCTION TEMPERATURE °C									
	-35	-30	-25	-20	-15	-10	-5	0	5	
DORIN COMPRESSOR UNITS - R507/R404A										
H040CXB-1,-2	423	566	735	936	1171	1444	1760	2123	2535	3.6
H075CXB-1,-2				1291	1609	1977	2403	2893	3453	3.6
H100CXB-1,-2				1888	2351	2890	3512	4227	5046	3.6
H150CXB-1,-2				2303	2872	3530	4288	5160	6158	3.6
H180CXB-2				2618	3271	4024	4893	5891	7035	3.6
H220CXB-2				3431	4280	5260	6391	7691	9179	3.6
H280CXB-2				4262	5333	6570	7996	9635	11512	6.6
H300CXB-2	2116	2863	3770	4857	6145	7653	9401	11409	13698	6.6
H350CXB-2	2321	3181	4195	5386	6777	8391	10251	12381	14802	6.6
H380CXB-2	2588	3541	4667	5992	7539	9333	11398	13758	16438	6.6
H403CXB-2				6428	8111	10106	12459	15217	18428	11.6
H503CXB-2	3402	4675	6186	7968	10056	12485	15290	18506	22167	11.6
K750CXB-2	5799	7584	9729	12277	15271	18757	22776	27374	32594	34.6
K1000CXB-2				14548	18316	22691	27748	33565	40218	34.6
K1500CXB-2				19481	24100	29454	35641	42759	50905	34.6

LOW/MEDIUM TEMPERATURE APPLICATIONS - 45°C CONDENSING

PRODUCT NUMBER	CAPACITY WATTS									REC'R CAP Kg
	SATURATED SUCTION TEMPERATURE °C									
	-35	-30	-25	-20	-15	-10	-5	0	5	
DORIN COMPRESSOR UNITS - R507/R404A										
H040CXB-1,-2	372	502	655	836	1049	1297	1585	1915	2292	3.6
H075CXB-1,-2				1161	1451	1785	2170	2613	3120	3.6
H100CXB-1,-2				1697	2121	2609	3172	3819		3.6
H150CXB-1,-2				2067	2589	3187	3875	4663		3.6
H180CXB-2				2352	2949	3634	4420	5322	6355	3.6
H220CXB-2				3078	3856	4748	5773	6949	8294	3.6
H280CXB-2				3832	4821	5954	7256	8749	10458	6.6
H300CXB-2	1856	2530	3345	4321	5480	6840	8422	10246	12332	6.6
H350CXB-2	2030	2814	3732	4807	6061	7517	9198	11128	13328	6.6
H380CXB-2	2319	3186	4203	5396	6789	8406	10271	12408	14843	6.6
H403CXB-2				5813	7365	9206	11385	13948	16943	11.6
H503CXB-2	3014	4187	5572	7204	9117	11345	13924	16889	20274	11.6
K750CXB-2	5197	6823	8766	11068	13775	16929	20574	24755	29516	34.6
K1000CXB-2				13005	16469	20467	25076	30371	36430	34.6
K1500CXB-2				17794	22150	27169	32951	39593	47193	34.6

NOTES:

* Ratings for 50°C are available on request.

* Capacities based on nominated ambient temperatures, 20°C return vapour & 0K subcooling

* Receiver capacity based on 80% liquid & 20% vapour by volume at 32°C (rated ambient) condition.

Dorin Semi-Hermetic basic condensing units

MEDIUM TEMPERATURE APPLICATIONS - 40°C CONDENSING

PRODUCT NUMBER	CAPACITY WATTS									REC'R CAP Kg
	SATURATED SUCTION TEMPERATURE °C									
	-35	-30	-25	-20	-15	-10	-5	0	5	
DORIN COMPRESSOR UNITS - R22										
H040CXB-1,-2	390	537	706	902	1129	1394	1700	2052	2457	4.2
H075CXB-1,-2				1243	1556	1921	2342	2828	3385	4.2
H100CXB-1,-2				1816	2274	2806	3423	4133	4947	4.2
H150CXB-1,-2				2207	2763	3409	4158	5020	6010	4.2
H180CXB-2				2522	3158	3897	4752	5738	6869	4.2
H220CXB-2				3232	4047	4993	6089	7353	8801	4.2
H280CXB-2				3981	4985	6151	7501	9057	10841	7.8
H300CXB-2				4459	5729	7201	8905	10869	13124	7.8
H350CXB-2				4538	6007	7710	9682	11955	14564	7.8
H380CXB-2				5053	6627	8452	10565	13001	15797	7.8
H403CXB-2				5507	7252	9275	11618	14322	17427	14
H503CXB-2				7358	9172	11277	13702	16474	19622	14
K750CXB-2	5146	6933	9054	11557	14492	17906	21849	26370	31517	41.2
K1000CXB-2				13363	16834	20864	25530	30908	37076	41.2
K1500CXB-2				17187	21214	25891	31307	37550	44710	41.2



MEDIUM TEMPERATURE APPLICATIONS - 45°C CONDENSING

PRODUCT NUMBER	CAPACITY WATTS									REC'R CAP Kg
	SATURATED SUCTION TEMPERATURE °C									
	-35	-30	-25	-20	-15	-10	-5	0	5	
DORIN COMPRESSOR UNITS - R22										
H040CXB-1,-2	346	490	652	839	1054	1303	1591	1924	2305	4.2
H075CXB-1,-2				1156	1452	1796	2193	2651	3176	4.2
H100CXB-1,-2				1689	2122	2624	3205	3874	4641	4.2
H150CXB-1,-2				2052	2578	3188	3893	4706	5638	4.2
H180CXB-2				2345	2947	3644	4450	5379	6444	4.2
H220CXB-2				3005	3776	4669	5702	6892	8257	4.2
H280CXB-2				3702	4652	5751	7023	8489	10171	7.8
H300CXB-2				3972	5173	6560	8162	10009	12129	7.8
H350CXB-2				4052	5439	7040	8890	11022	13470	7.8
H380CXB-2				4571	6052	7762	9737	12014	14628	7.8
H403CXB-2				4988	6664	8603	10846	13434	16407	14
H503CXB-2				6700	8418	10414	12716	15354	18353	14
K750CXB-2	4700	6420	8454	10851	13659	16928	20706	25042	29986	41.2
K1000CXB-2				12287	15613	19464	23917	29050	34938	41.2
K1500CXB-2				15950	19788	24232	29371	35294	42091	41.2

NOTES:

- * Ratings for 50°C are available on request.
- * Capacities based on nominated ambient temperatures, 20°C return vapour & 0K subcooling
- * Receiver capacity based on 80% liquid & 20% vapour by volume at 32°C (rated ambient) condition.

Dorin Semi-Hermetic basic condensing units

SPECIFICATIONS

PRODUCT NUMBER	ELECTRICAL DATA										
	COMPRESSOR				AMPS / PHASE			HEAD FAN MOTOR			
	PRODUCT NUMBER	NOMINAL HP	DISPL. cm ³ /rev	VOLTS	RLA *1	MCC *2	LRA	STD/OPTION	VOLTS	WATTS	RLA
DORIN - MEDIUM TEMPERATURE UNITS											
H040CXB-2	H40CC/HTCR	0.75	33.2	380-420	1.62	2.4	11.1	OPTION	240/1	70	0.3
H040CXB-1	H40CC-S/HTCR	0.75	33.2	240	4.37	6	30	OPTION	240/1	70	0.3
H075CXB-2	H75CC/HTCR	1	44.4	380-420	2.11	2.9	13.8	OPTION	240/1	70	0.3
H075CXB-1	H75CC-S/HTCR	1	44.4	240	6.56	9	44	OPTION	240/1	70	0.3
H100CXB-2	H100CC/HTCR	1.8	60.9	380-420	2.73	4.4	20	OPTION	240/1	70	0.3
H100CXB-1	H100CC-S/HTCR	1.8	60.9	240	6.83	10	62	OPTION	240/1	70	0.3
H150CXB-2	H150CC/HTCR	3	77.6	380-420	3.08	6	24.4	OPTION	240/1	70	0.3
H150CXB-1	H150CC-S/HTCR	3	77.6	240	7.48	13.5	69	OPTION	240/1	70	0.3
H180CXB-2	H180CC/HTCR	3	88.6	380-420	3.79	6	24.4	OPTION	240/1	70	0.3
H220CXB-2	H220CC/HTCR	3	113.6	380-420	4.48	6	24.4	OPTION	240/1	70	0.3
H280CXB-2	H280CC/HTCR	3.8	139.9	380-420	6.22	9.4	43.6	OPTION	240/1	70	0.3
H300CXB-2	H300CC/HTCR	3.8	169.4	380-420	6.94	9.4	43.6	OPTION	240/1	70	0.3
H350CXB-2	H350CC/HTCR	3.8	183.2	380-420	7.28	9.4	43.6	OPTION	240/1	70	0.3
H380CXB-2	H380CC/HTCR	3.8	201.5	380-420	8.11	9.4	43.6	OPTION	240/1	70	0.3
H403CXB-2	H403CC/HTCR	5.5	229.7	380-420	8.5	13.5	63.1	OPTION	240/1	70	0.3
H503CXB-2	H503CC/HTCR	7.5	262.5	380-420	11.1	17.5	86	OPTION	240/1	70	0.3
K750CXB-2	K750CC	7.5	374	380-420	14.5	17	82	OPTION	240/1	70	0.3
K1000CXB-2	K1000CC/HTCR	15	444.0	380-420 (1)	18	30	114	OPTION	240/1	70	0.3
K1500CXB-2	K1500CC	15	561.0	380-420 (1)	23.5	30	114	OPTION	240/1	70	0.3

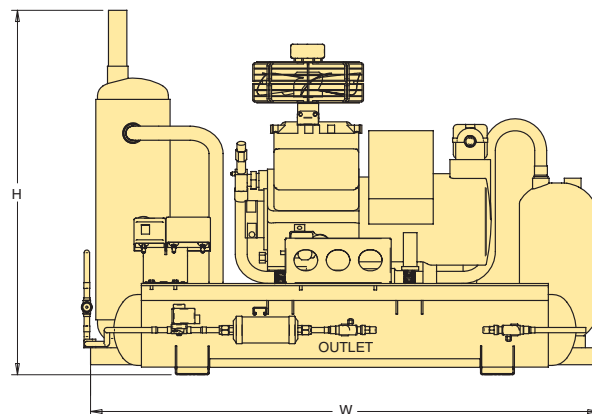
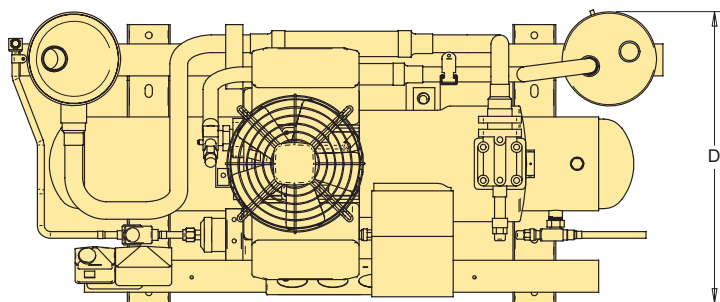
NOTES:

- *1 M.C.C. (Maximum Continuous Current) is intended to be used as a guide for power supply rating, protection setting, and functional settings such as CPR valves.
- *2 Values given are based at nominal rating conditions. Actual levels may vary according to unit loading.
- *3 Dimensions given as overall (incl. compressor or receiver overhang and base size only where applicable).
- * Receiver capacity based on 80% liquid 20% vapour by volume at 32°C ambient
- * Sound Power Ratings: Provisional ratings are based on compressor manufacturers sound power data.
- * For changed liquid entering temperature: Increase capacity by 1% for each 1°C lower liquid entering temperature. Decrease capacity by 1% for every 1°C higher liquid temperature.
- * For lower return vapour temperature, multiply rated capacity by factor for capacity at 10K superheat:
- * (1) = Delta

Dorin Semi-Hermetic basic condensing units

SPECIFICATIONS

SOUND POWER dBA *4	HEAD COOLING FAN		DIMENSIONS							APPROX NETT WEIGHT kg
			UNIT			CONNECTIONS		RECEIVER CONNECTIONS		
	PRODUCT NUMBER	AIRFLOW L/SEC	HEIGHT H	WIDTH W	DEPTH D *6	CONNECTIONS		RECEIVER CONNECTIONS		
						SUCTION	DISCH.	PART No.	CONN In/out	
DORIN - MEDIUM TEMPERATURE UNITS										
62.1	KP KIT	380	480	938	460	1/2"	1/2"	3310-105544	16mm O.D.	90
62.1	KP KIT	380	480	938	460	1/2"	1/2"	3310-105544	16mm O.D.	90
62.6	KP KIT	380	480	938	460	16mm O.D.	1/2"	3310-105544	16mm O.D.	100
62.6	KP KIT	380	480	938	460	16mm O.D.	1/2"	3310-105544	16mm O.D.	100
64.4	KP KIT	380	480	938	460	16mm O.D.	1/2"	3310-105544	16mm O.D.	140
64.4	KP KIT	380	480	938	460	16mm O.D.	1/2"	3310-105544	16mm O.D.	140
65.3	KP KIT	380	480	938	460	16mm O.D.	1/2"	3310-105544	16mm O.D.	140
65.3	KP KIT	380	480	938	460	16mm O.D.	1/2"	3310-105544	16mm O.D.	140
65.7	KP KIT	380	480	938	460	16mm O.D.	1/2"	3310-105544	16mm O.D.	150
66.1	KP KIT	380	480	938	460	3/4"	16mm O.D.	3310-105544	16mm O.D.	225
70.9	KP KIT	380	503	938	460	3/4"	16mm O.D.	3310-167082	1/2" MF	250
67	KP KIT	380	503	959	460	7/8"	16mm O.D.	3310-167082	1/2" MF	260
67.5	KP KIT	380	503	959	460	1-1/8"	16mm O.D.	3310-167082	1/2" MF	260
69	KP KIT	380	500	959	460	1-1/8"	16mm O.D.	3310-167082	1/2" MF	300
70.5	KP KIT	380	620	1260	510	1-1/8"	16mm O.D.	3310-1686145	5/8" MF	310
72	KP KIT	380	620	1260	510	1-3/8"	16mm O.D.	3310-1686145	5/8" MF	313
79.6	KP KIT	380	840	1610	660	1-3/8"	7/8"	HR40XB	3/4" S	385
79.3	KP KIT	380	840	1610	660	1-3/8"	1-1/8"	HR40XB	3/4" S	390
81.6	KP KIT	380	840	1610	660	1-5/8"	1-1/8"	HR40XB	3/4" S	395



Dorin Semi-Hermetic basic condensing units

OPTIONS

PRODUCT NUMBER	OIL SEPARATOR	SUCTION ACCUMULATOR	HEAD COOLING FAN	LIQUID LINE		START BY-PASS 5/8"	CRANKCASE PRESSURE REGULATOR	SUCTION LINE DRIER
				C/W SOLENOID VALVE	C/W 5/8" VALVE			
H040CXB-2	KP480-12	KP480-2	KP434-1	KP446-6	KP446-5	KP415-18	ON REQUEST	KP415-42 (1-1/8")
H075CXB-2	KP480-12	KP480-2	KP434-1	KP446-6	KP446-5	KP415-18	ON REQUEST	KP415-42 (1-1/8")
H100CXB-2	KP480-12	KP480-2	KP434-1	KP446-6	KP446-5	KP415-18	ON REQUEST	KP415-42 (1-1/8")
H150CXB-2	KP480-12	KP480-2	KP434-1	KP446-6	KP446-5	KP415-18	ON REQUEST	KP415-42 (1-1/8")
H180CXB-2	KP480-12	KP480-2	KP434-1	KP446-6	KP446-5	KP415-18	ON REQUEST	KP415-42 (1-1/8")
H200CXB-2	KP480-12	KP480-2	KP434-1	KP446-6	KP446-5	KP415-18	ON REQUEST	KP415-42 (1-1/8")
H220CXB-2	KP480-13	KP480-5	KP434-1	KP446-6	KP446-5	KP415-18	ON REQUEST	KP415-42 (1-1/8")
H280CXB-2	KP480-13	KP480-5	KP434-1	KP446-3	KP446-1	KP415-18	ON REQUEST	KP415-42 (1-1/8")
H300CXB-2	KP480-14	KP480-7	KP434-2	KP446-3	KP446-1	KP415-18	ON REQUEST	KP415-42 (1-1/8")
H350CXB-2	KP480-14	KP480-8	KP434-2	KP446-3	KP446-1	KP415-18	ON REQUEST	KP415-42 (1-1/8")
H380CXB-2	KP480-14	KP480-8	KP434-2	KP446-3	KP446-1	KP415-18	ON REQUEST	KP415-42 (1-1/8")
H403CXB-2	KP480-16	KP480-10	KP434-1	KP446-4	KP446-2	KP415-18	ON REQUEST	KP415-42 (1-1/8")
H503CXB-2	KP480-16	KP480-10	KP434-1	KP446-4	KP446-2	KP415-18	ON REQUEST	KP415-42 (1-1/8")
K750CXB-2	KP415-53	KP415-73	KP415-122	KP415-30	KP415-31	KP415-18	ON REQUEST	KP415-42 (1-1/8")
K1000CXB-2	KP415-53	KP415-73	KP415-122	KP415-30	KP415-31	KP415-18	ON REQUEST	KP415-42 (1-1/8")
K1500CXB-2	KP415-57	KP415-77	KP415-122	KP415-30	KP415-31	KP415-18	ON REQUEST	KP415-42 (1-1/8")

PRODUCT NUMBER	HP/LP CONTROL AUTO/AUTO	HP/LP CONTROL AUTO/MANUAL	HP CONTROL	LP CONTROL	HP/LP CONTROL FAN CYCLE	GAUGE		
						TWO PANEL	THREE PANEL	FOUR PANEL
H040CXB-2	KP415-1	KP415-2	KP415-3	KP415-4	KP415-5	KP415-12	KP415-13	KP415-14
H075CXB-2	KP415-1	KP415-2	KP415-3	KP415-4	KP415-5	KP415-12	KP415-13	KP415-14
H100CXB-2	KP415-1	KP415-2	KP415-3	KP415-4	KP415-5	KP415-12	KP415-13	KP415-14
H150CXB-2	KP415-1	KP415-2	KP415-3	KP415-4	KP415-5	KP415-12	KP415-13	KP415-14
H180CXB-2	KP415-1	KP415-2	KP415-3	KP415-4	KP415-5	KP415-12	KP415-13	KP415-14
H200CXB-2	KP415-1	KP415-2	KP415-3	KP415-4	KP415-5	KP415-12	KP415-13	KP415-14
H220CXB-2	KP415-1	KP415-2	KP415-3	KP415-4	KP415-5	KP415-12	KP415-13	KP415-14
H280CXB-2	KP415-1	KP415-2	KP415-3	KP415-4	KP415-5	KP415-12	KP415-13	KP415-14
H300CXB-2	KP415-1	KP415-2	KP415-3	KP415-4	KP415-5	KP415-12	KP415-13	KP415-14
H350CXB-2	KP415-1	KP415-2	KP415-3	KP415-4	KP415-5	KP415-12	KP415-13	KP415-14
H380CXB-2	KP415-1	KP415-2	KP415-3	KP415-4	KP415-5	KP415-12	KP415-13	KP415-14
H403CXB-2	KP415-1	KP415-2	KP415-3	KP415-4	KP415-5	KP415-12	KP415-13	KP415-14
H503CXB-2	KP415-1	KP415-2	KP415-3	KP415-4	KP415-5	KP415-12	KP415-13	KP415-14
K750CXB-2	KP415-1	KP415-2	KP415-3	KP415-4	KP415-5	KP415-12	KP415-13	KP415-14
K1000CXB-2	KP415-1	KP415-2	KP415-3	KP415-4	KP415-5	KP415-12	KP415-13	KP415-14
K1500CXB-2	KP415-1	KP415-2	KP415-3	KP415-4	KP415-5	KP415-12	KP415-13	KP415-14